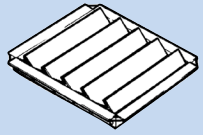
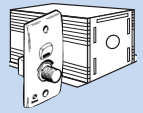
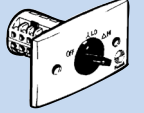
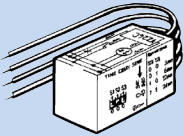


TWIN GAMMA ULTRA SERIES

ULTRA
Range



ANCILLARY EQUIPMENT

 CBD - Backdraft shutter Ref. J-2	 Speed controllers Ref. M-1	 SD - Star/Delta switch Ref. M-7
 VZ - Run-on timer Ref. M-14		

DESCRIPTION

The Twin Gamma Ultra Series of Mixed-Flow roof fans have been designed for use in commercial ducted exhaust applications. Incorporating twin vertical discharge fans, the unit provides 100% stand-by capacity.

These compact and low profile units are fitted with bird-mesh to prevent the entry of birds and vermin into the ducting or building.

They are available in 5 sizes, extending from 315 to 500mm diameter.

Typical Applications

Exhaust air from a wide range of commercial applications such as factories, warehouses and workshops, change rooms, bulk goods retail outlets and assembly halls.

Features

- Robust, lightweight construction.
- Choice of speeds available.
- Compact, low profile design.
- Designed for vertical exhaust applications.
- Backdraft-shutters are an optional extra (See special note).
- Can be mounted at angle up to 30°.
- Most 3-phase motors are 2-speed star/delta design.

Note: Pressure loss across the shutter is now included in the performance curves.

Construction

Cowls are UV-stabilised plastic. Impellers are Mixed-Flow design and made from high performance injection moulded composite material. Steel components have a corrosion resistant finish. Bird-mesh guards are fitted as standard.

Internal Thermal Protection

Thermal protection is supplied as standard on all motors

Testing

Air flow tests based on ISO5801
Noise tests based on ISO13347-3

Special Note

Backdraft shutters are offered as an optional extra, but are essential to prevent short circuiting and ensuring proper performance of the product. Due to this, the backdraft shutter effect on the products performance is included in the performance curves. This is to ensure accurate selections to allow reliable and predictable on-site performance. There is no longer a need to add losses due to the backdraft shutter as is required with single Gamma models.

Motors

Type - external rotor, squirrel cage induction motor

Electricity supply - 230V, single and 415V, three-phase, 50Hz

Bearings - sealed-for-life, ball

Speed-controllable using electronic or auto-transformer controllers

All three-phase units are fitted with 2-speed star/delta design motors

See page O-2/3 for details on these motors

SUGGESTED SPECIFICATION

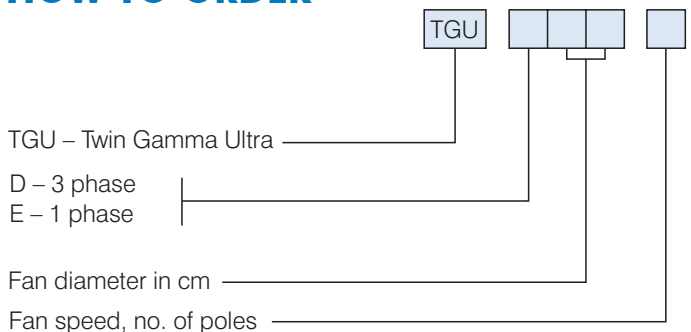
The roof ventilators shall be of the Twin Gamma Ultra Series vertical exhaust type as designed and manufactured by Fantech Pty. Ltd. They shall provide dual fan vertical discharge to provide a 100% stand-by capacity and be of the model numbers shown on the schedule/drawing.

Impellers shall be made from high performance injection moulded composite material. They shall be Mixed-Flow design and driven by speed-controllable external rotor motors with integral thermal overload protection.

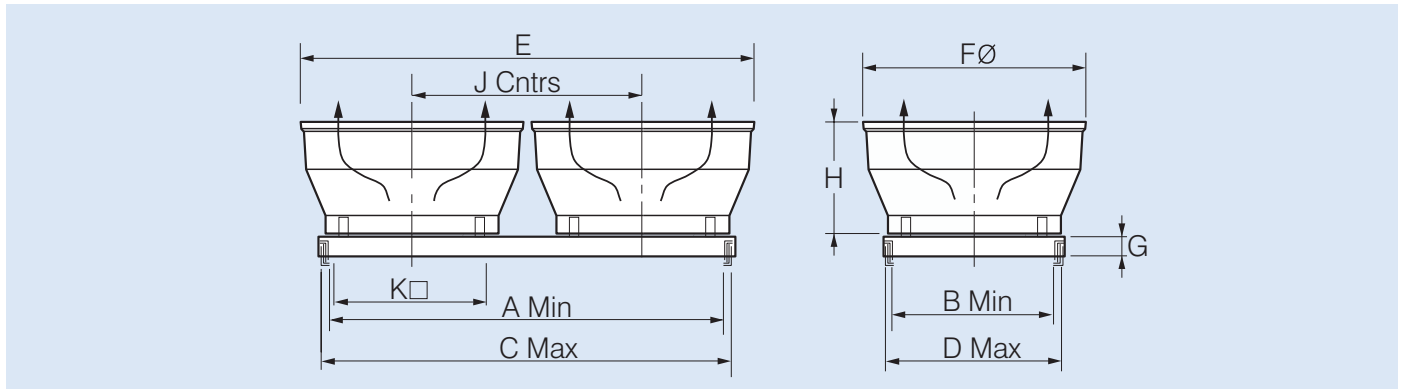
The windband shall be of the vertical exhaust design and formed from plastic. Steel components shall be corrosion protected.

All performance data shall be for a complete assembled unit based on ISO5801 for air flow and ISO13347-3 for noise.

HOW TO ORDER



DIMENSIONS



Model TGUD.. TGUE..	Dimensions, mm										Approx. weight kg.
	A	B	C	D	E	FØ	G	H	J	K	
31	1080	380	1180	480	1363	667	75	353	696	372	32
35	1080	380	1180	480	1363	667	75	353	696	372	33
40	1580	600	1680	700	1894	928	75	459	966	592	66
45	1580	600	1680	700	1894	928	75	459	966	592	78
50	1580	600	1680	700	1894	928	75	459	966	592	87

TECHNICAL DATA

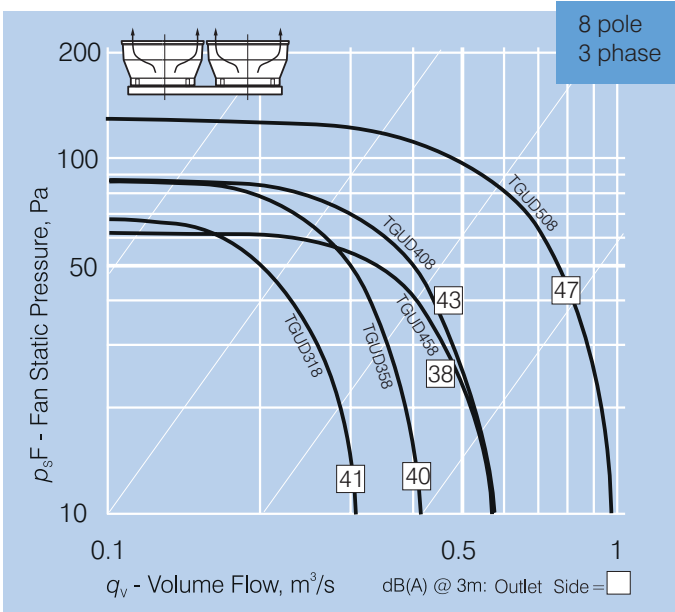
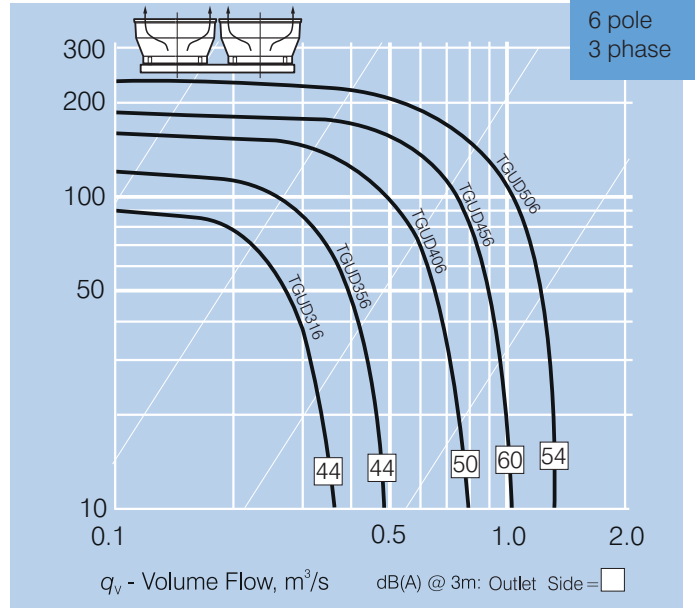
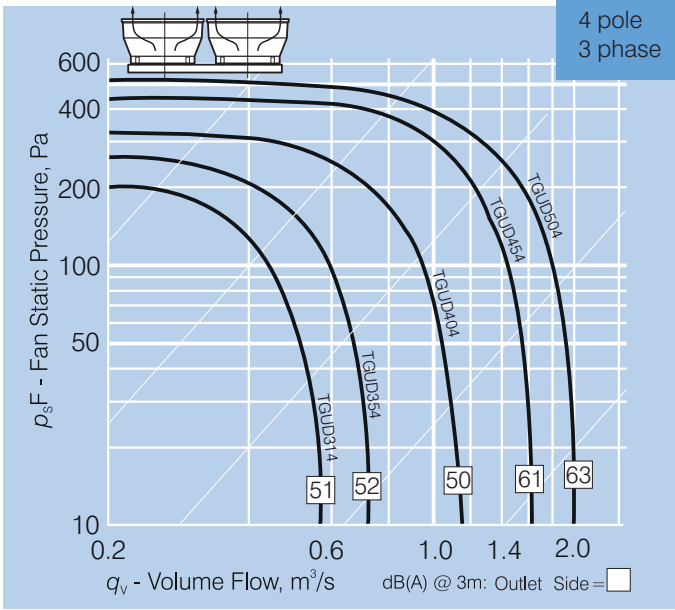
Model TGUD... TGUE...	Nom. Speed r/s	Max Operating Temp. °C		TGUD...		TGUE.. 1ph		TGUD.. 3ph		In-duct sound power levels, dB							
				AVG. dB(A) @ 3M		kW	Amps*	kW	Amps*	63	125	250	500	1k	2k	4k	8k
314	23	60	Inlet	46	0.22	1.10	0.21	0.50	68	66	66	63	61	58	54	47	
			Outlet	51					69	70	69	69	66	64	58	51	
316	15	60	Inlet	40	0.09	0.48	0.09	0.26	66	62	59	56	57	51	43	33	
			Outlet	44					66	64	61	62	60	57	47	37	
318	13	60	Inlet	37	-	-	0.05	0.11	63	59	56	53	54	48	40	30	
			Outlet	41					63	61	58	59	57	54	44	34	
354	23	60	Inlet	47	0.37	1.85	0.33	0.68	69	69	68	64	62	60	55	47	
			Outlet	52					71	73	72	70	67	64	58	50	
356	16	60	Inlet	41	0.12	0.56	0.13	0.36	66	64	65	56	55	53	45	32	
			Outlet	44					67	66	66	62	60	56	47	35	
358	13	60	Inlet	37	-	-	0.07	0.14	62	60	61	52	51	49	41	28	
			Outlet	40					62	62	62	58	56	52	43	31	
404	22	60	Inlet	51	0.58	2.60	0.54	1.20	70	72	73	68	66	63	58	53	
			Outlet	56					66	76	79	72	72	67	61	54	
406	15	60	Inlet	45	0.28	1.35	0.22	0.56	66	67	69	62	60	58	51	42	
			Outlet	50					61	69	73	66	67	61	52	42	
408	11	60	Inlet	38	-	-	0.13	0.28	59	60	62	55	53	51	44	35	
			Outlet	43					54	62	66	59	60	54	45	35	
454	23	60	Inlet	56	1.10	5.20	1.00	1.95	76	77	80	72	70	69	65	59	
			Outlet	61					79	83	86	77	76	72	68	60	
456	15	60	Inlet	46	0.37	1.75	0.32	0.70	68	69	68	62	61	59	51	41	
			Outlet	51					61	71	74	67	67	62	53	42	
458	9	60	Inlet	33	-	-	0.19	0.39	55	56	55	49	48	46	38	28	
			Outlet	38					48	58	61	54	54	49	40	29	
504	21	60	Inlet	58	1.65	7.40	1.45	2.80	81	82	78	74	72	72	68	63	
			Outlet	63					85	88	85	80	79	74	71	63	
506	14	60	Inlet	50	0.54	2.50	0.48	0.88	71	76	69	64	65	66	58	51	
			Outlet	54					76	78	75	69	71	66	60	48	
508	11	60	Inlet	43	-	-	0.31	0.50	64	69	62	57	58	59	51	44	
			Outlet	47					69	71	68	62	64	59	53	41	

Electrical data in **bold** type refers to fans fitted with 2-speed star/delta motors as standard

* Amperages shown are a guide only, refer to our Sales Department for accurate figures at time of order.

TWIN GAMMA ULTRA SERIES

D



Scan the QR Code to view wiring diagrams or more information online.