

BACKDRAFT SHUTTERS - TYPE PGL



FEATURES

The PGL backdraft shutter is designed for external mounting. It is made from impact resistant UV-stabilised PVC and includes shutters that open when the fan is running and close when it is off. Available in 100, 125 and 150mm spigot sizes. Suitable with a large range of wall mounted and in-line fans.

SUGGESTED SPECIFICATION

The backdraft shutter shall be of the PGL series as supplied by Fantech and be of the model number shown on the schedule/drawing. It shall be manufactured from injection moulded UV stabilised PVC.

TESTING

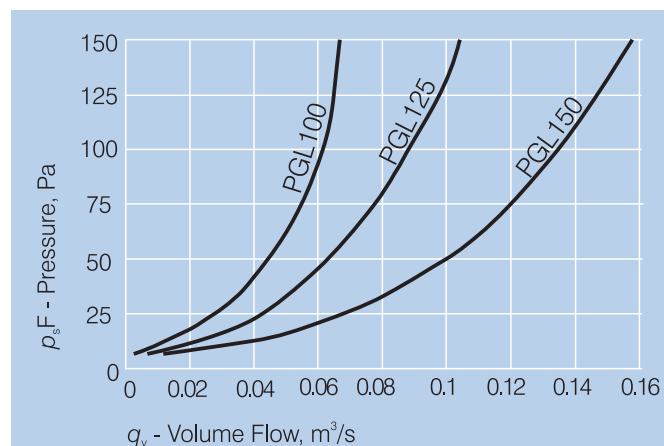
Air flow tests based on ISO5801:2007.



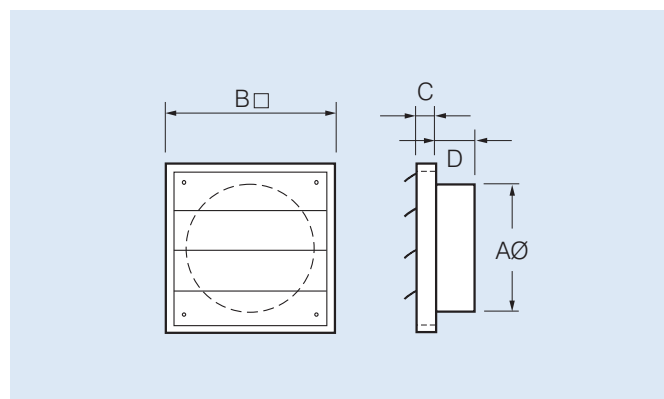
Scan the QR Code to view more information online.



PRESSURE LOSS GRAPH (Exhaust)



DIMENSIONS



Model No PGL...	Dimensions, mm			
	Duct Dia. AØ	B□	C	D
100	100	140	15	34
125	125	160	12	24
150	150	175	15	34

SELECTION TABLE

Wall Fan Model	VentMajor Model	Silent EcoWatt MixVent In-line Fan Model	ProVent In-line Fan Model	JetStream In-line Fan Model	PGL backdraft shutter
EDM-100C	VM-100L	TD-250/100...	RIL-100	-	PGL100
EDM-200C	VM-125L	TD-350/125...	RIL-125	-	PGL125
EDM-300C	VM-150L	TD-500/150...	RIL-150SW/RIL-150TSW	JCE152	PGL150