

POLLUTANT SENSORS



DESCRIPTION

The analogue pollutant sensor is available in carbon monoxide (CO) and nitrogen dioxide (NO₂) versions. They are ideal in enclosed or semi-enclosed spaces that contain harmful vehicle exhaust pollutants such as car parks, loading bays and drive through "take away" facilities. It incorporates a corrosion resistant, ABS/polycarbonate housing and hinged door that is water and dust resistant.

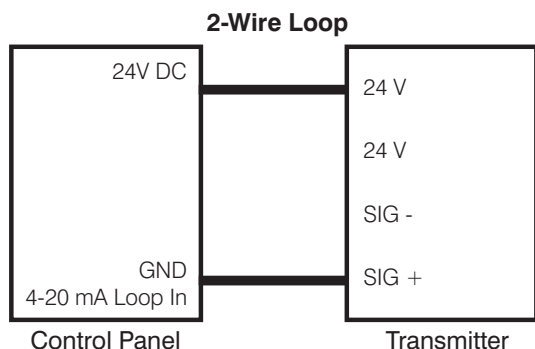
Features

- Linear 4 - 20 mA output signal.
- RoHS compliant circuit boards.
- Includes CEF (Calibration Extending Firmware) sensor.
- CO/NO₂ simulation functions for commissioning.
- Lower power draw means sensors can be powered by EC motors.

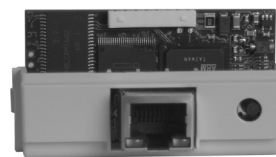
TECHNICAL DATA

Model Number	Detection Type	Measuring range (PPM)	Protection class	Dimensions W x H x D (mm)
LPT-TCO	CO	0-200	IP65	127 X 127 X 54
LPT-END	NO ₂	0-10	IP65	127 X 127 X 54

WIRING DIAGRAM



BMS INTERFACE CARDS



DESCRIPTION

The EcoVent controller can be monitored by the 3 most popular types of BMS systems: BACnet IP, BACnet ms/tp and MODbus. If one of these technologies is being used simply select the applicable interface card below.

Model Number	Interface type
PCO1000WB0	BACnet IP
PCO1000BA0	BACnet ms/tp
PCOS004850	MODbus

SMOKE DETECTOR COMMISSIONING KIT

DESCRIPTION

The commissioning kit will help check the activation of JetVent's integrated smoke detector (featured on JIU-CPCEC models) by using either the magnet or cold smoke included in each kit.

Model Number	Kit includes
JIU-COMMISSION	- Magnet arm - Cold smoke aerosol can

Important note

It is important to only test the smoke detectors with the cold smoke aerosol can contained in this kit. Some other types of artificial smoke may damage the smoke detector on the JetVent JIU-CPCEC models.