

# INTERNAL CEILING GRILLES - TYPES ALG, DJG & ILG

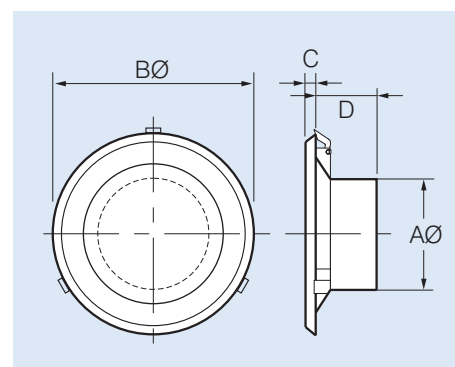
## TYPE ALG



ALG grilles are designed for ceiling mounting in exhaust applications. The grilles incorporate an adjustable air valve.

| Model  | Dimensions, mm |     |    |     | Hole     |
|--------|----------------|-----|----|-----|----------|
| ALG... | AØ*            | BØ  | C  | D   | Cutout Ø |
| 150    | 150            | 260 | 16 | 90  | 232      |
| 200    | 200            | 315 | 16 | 95  | 282      |
| 250    | 250            | 390 | 16 | 100 | 355      |
| 300    | 300            | 440 | 16 | 100 | 405      |

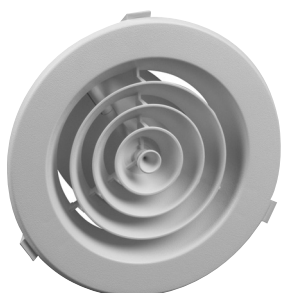
\*Nominal duct diameter



Scan the QR Code to view more information online.



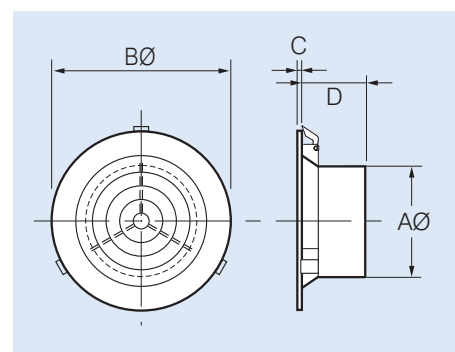
## TYPE DJG



DJG downjet grilles are designed for ceiling exhaust or supply air applications. The grilles incorporate an adjustable air damper and removable grille for easy cleaning.

| Model  | Dimensions, mm |     |   |     | Hole     |
|--------|----------------|-----|---|-----|----------|
| DJG... | AØ*            | BØ  | C | D   | Cutout Ø |
| 150    | 150            | 240 | 5 | 95  | 206      |
| 200    | 200            | 290 | 5 | 105 | 256      |

\*Nominal duct diameter



Scan the QR Code to view more information online.



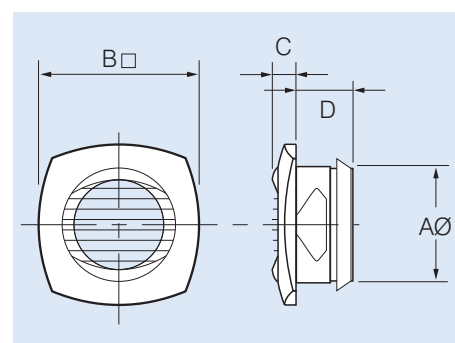
## TYPE ILG



ILG grilles are designed for small ceiling exhaust and supply air applications using 125mm duct.

| Model  | Dimensions, mm |     |    |    | Hole     |
|--------|----------------|-----|----|----|----------|
| ILG... | AØ*            | B□  | C  | D  | Cutout Ø |
| 125    | 125            | 170 | 26 | 60 | 130      |

\*Nominal duct diameter



Scan the QR Code to view more information online.

