

ALPHA RELIEF AIR VENTS - BUSHFIRE CODE COMPLIANT



DESCRIPTION

The robust Alpha Relief Vents with bushfire code compliance have been designed to control relief air and the pressure within buildings. They may also be used in a ducted system where the fan is mounted remotely to the cowl. They comply with BAL-LOW to BAL-40 of the Australian Standard AS3959:2018 Construction of buildings in bushfire prone areas.

There are 8 models in the range capable of handling air flows from 0.04 to 7.4m³/s.

Typical Applications

To control relief air and the pressure within buildings in bushfire prone areas.

May also be used as the air intake and discharge point where the fan is mounted remotely.

Features

- Robust, heavy duty galvanised steel construction.
- Fitted with high quality bronze mesh to provide protection from burning embers.
- All units are designed for curb mounting.
- Can be mounted at angles up to 30°.
- Can also be used as air intake units. Pressure losses are approximately the same.
- Compliant to AS3959:2018 up to and including BAL-40

Construction

Cowls are of galvanised steel.

Bronze mesh with a maximum of 2mm aperture fitted.

Special note

Sites located in Bushfire Prone Areas are required to undergo a Bushfire Attack Level (BAL) assessment that will determine a building's potential exposure to ember attack, radiant heat and direct flame contact in accordance with **AS3959-2018 Construction of buildings in bushfire-prone areas**.

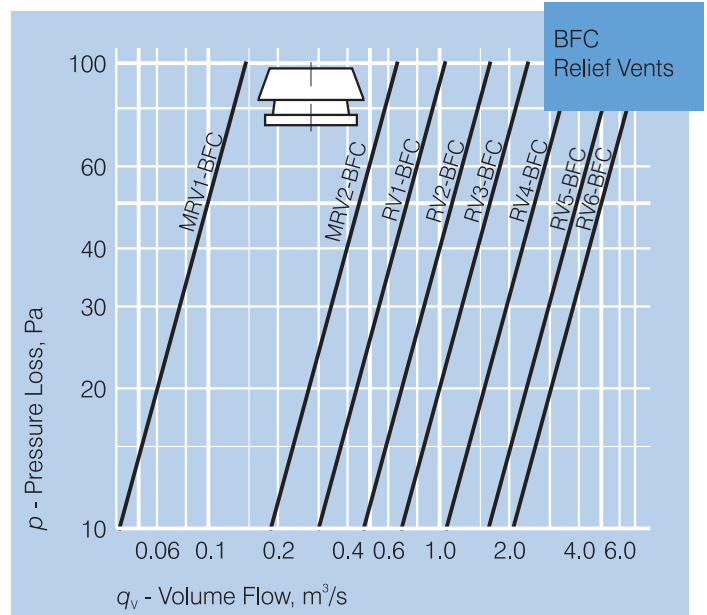
This standard specifies for BAL levels up to and including BAL-40 that roof ventilation openings, such as gable and roof vents, shall be fitted with ember guards made of non-combustible material or a mesh or perforated sheet with maximum aperture of 2mm, made from corrosion-resistant steel or bronze.

SUGGESTED SPECIFICATION

The roof ventilators shall be of the Alpha Relief Air Vents Series with bushfire code compliance as designed and manufactured by Fantech Pty Ltd.

They shall be constructed from galvanised steel and include ember protection mesh made from bronze or steel with openings a maximum of 2mm.

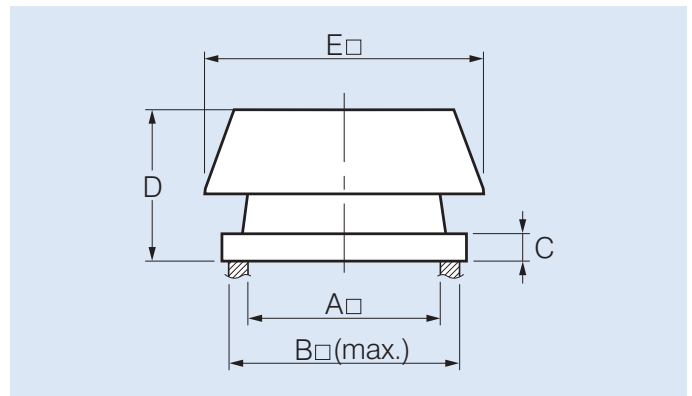
They shall comply with BAL-LOW to BAL-40 of the Australian Standard AS3959:2018 Construction of buildings in bushfire prone areas.



HOW TO ORDER

Select the model required to handle the air quantity specified from the performance graph.

DIMENSIONS



Model	Dimensions, mm					App. wt. kg
	A	B	C	D	E	
MRV1-BFC	210	260	30	200	346	5
MRV2-BFC	350	410	55	350	570	12
RV1-BFC	400	500	85	380	670	15
RV2-BFC	510	610	90	450	774	23
RV3-BFC	670	770	90	560	890	30
RV4-BFC	780	980	90	640	1180	46
RV5-BFC	960	1160	90	702	1395	61
RV6-BFC	1200	1400	90	756	1640	80



Scan the QR code to view more information online.

