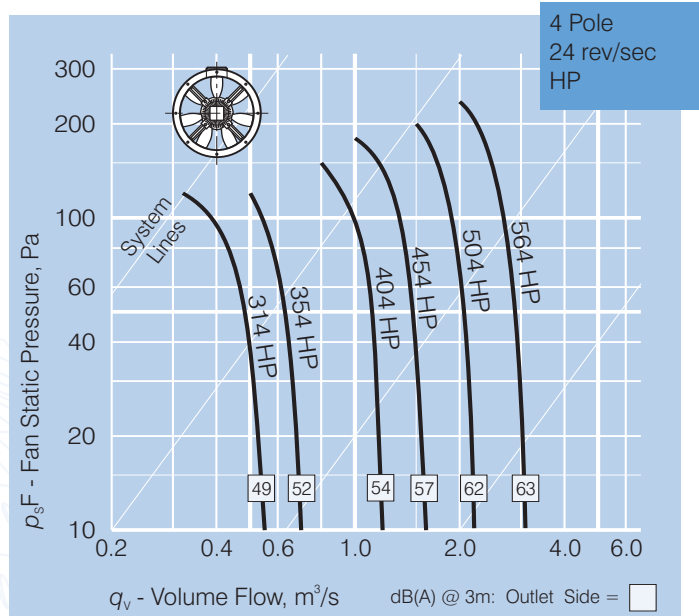
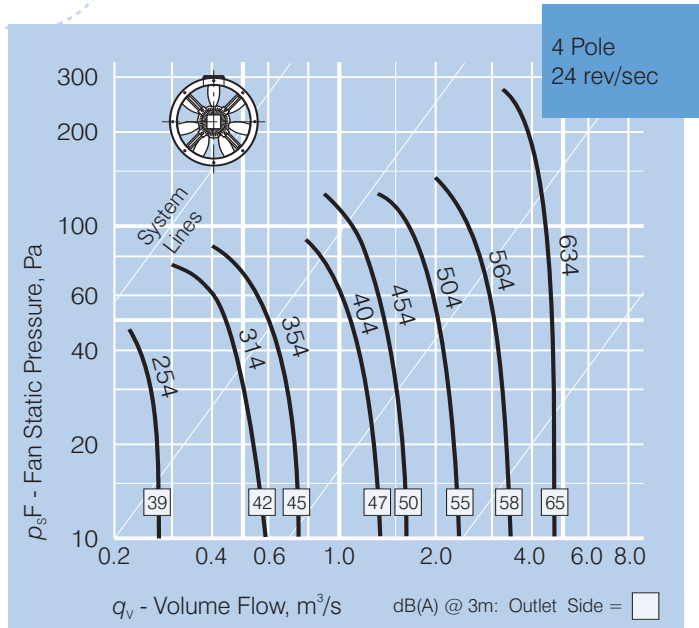
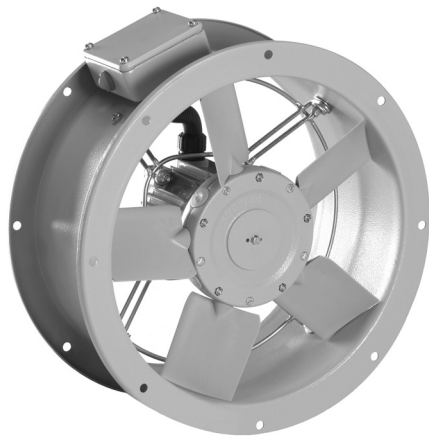


# SHORT CASE AXIAL SERIES



## DESCRIPTION

The Short Case Axial Series has a light-weight but robust construction and is designed for ducted systems. They feature a galvanised steel casing with a polyester epoxy finish and are capable of operating in ambient temperatures ranging from -20 °C to +70 °C.

There are 8 sizes in the range extending from 250 to 630mm diameter.

## Typical Applications

Exhausting or supplying air in a wide range of commercial and industrial applications.

## Features

- Compact, short case design.
- Light-weight but robust construction.
- Most motors fitted to the 415V/3-phase Short Case Axial Series are a 2-speed, star/delta design.
- An electric junction box is fitted as standard.
- When being speed controlled the maximum allowable ambient is 50 °C.
- Can be mounted in any position.
- An extensive range of matched ancillary equipment is available.

## Construction

The casing is of galvanised steel with a polyester epoxy finish as standard. Impeller blades are of GRP. Aluminium blades are an optional extra.

## Motors

Type - squirrel cage induction motor.  
Electricity supply - 230V single-phase or 415V three-phase, 50Hz.  
Bearings - sealed-for-life, ball.  
Speed-controllable using electronic or auto-transformer controllers.  
Enclosure IP55.  
See pages O-3/4 for details of these motors.

## Internal Thermal Protection

Integral thermal protection is supplied as standard.

## Testing

Air flow tests to ISO 5801: 2004.  
Noise tests to BS848, Part 2, 1985.

## Wiring Diagram

See pages N-6/7, diagram DD 4, 5, 6, & 7

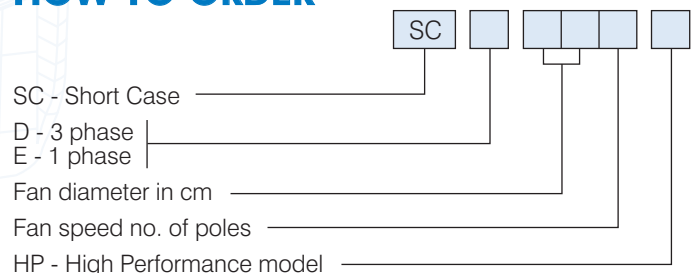
## SUGGESTED SPECIFICATION

The Short Case Axial Series shall be as supplied by Fantech Pty Ltd. The axial impellers shall be of GRP and driven by single-phase or three-phase motors with integral thermal protection.

Casings shall be of galvanised steel construction with a polyester epoxy finish.

All models shall be fully tested to ISO 5801: 2004 for air flow and BS848: Part 2, for noise.

## HOW TO ORDER



## TECHNICAL DATA

| Model | Fan.    | Avg.  | SCE.. 1 ph. |        | SCD.. 3 ph. |             | App. |
|-------|---------|-------|-------------|--------|-------------|-------------|------|
| SCD.. | Speed   | dB(A) | kW          | Amps   | kW          | Amps        | wt   |
| SCE.. | rev/sec | @ 3m  |             |        |             |             | kg.  |
| 254   | 23      | 39    | 0.09        | 0.90   | 0.12        | 0.50        | 8.0  |
| 314   | 23      | 42    | 0.09        | 0.90   | 0.12        | 0.50        | 8.5  |
| 314HP | 23      | 49    | 0.09        | 0.90   | 0.12        | 0.50        | 8.5  |
| 354   | 23      | 45    | 0.09        | 0.90   | 0.12        | 0.50        | 9.0  |
| 354HP | 23      | 52    | 0.09        | 0.90   | 0.12        | 0.50        | 9.0  |
| 404   | 23      | 47    | 0.25        | 1.80   | <b>0.37</b> | <b>1.40</b> | 12.0 |
| 404HP | 23      | 54    | 0.25        | 1.80   | <b>0.37</b> | <b>1.40</b> | 12.0 |
| 454   | 23      | 50    | 0.25        | 1.80   | <b>0.37</b> | <b>1.40</b> | 14.0 |
| 454HP | 23      | 57    | 0.25        | 1.80   | <b>0.37</b> | <b>1.40</b> | 14.0 |
| 504   | 23      | 55    | 0.55        | 3.60   | <b>0.55</b> | <b>1.75</b> | 20.0 |
| 504HP | 23      | 62    | 0.55        | 3.60   | <b>0.55</b> | <b>1.75</b> | 20.0 |
| 564   | 23      | 58    | 0.75        | 4.90 † | <b>0.75</b> | <b>2.00</b> | 22.0 |
| 564HP | 23      | 63    | 0.75        | 4.90 † | <b>0.75</b> | <b>2.00</b> | 22.0 |
| 634   | 23      | 65    | -           | -      | <b>1.50</b> | <b>4.30</b> | 24.0 |

Electrical data in bold type denotes 2-speed star/delta motors are fitted. Amperages shown are a guide only. Refer to our Sales Department for accurate figures at time of order.

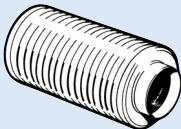
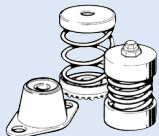

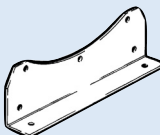




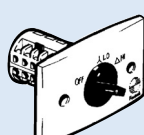
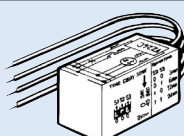
† Use auto transformer control only.

## NOISE DATA

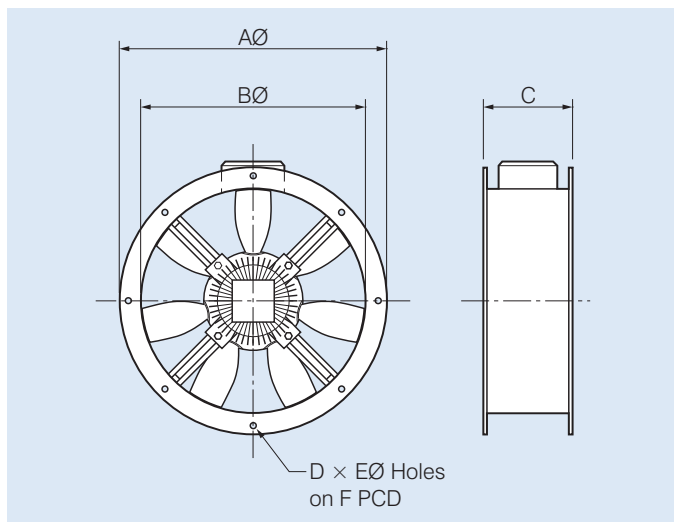
| Model | In-duct Sound Power Levels |     |     |     |    |    |    |    |
|-------|----------------------------|-----|-----|-----|----|----|----|----|
|       | L <sub>w</sub> dB re 1pW   |     |     |     |    |    |    |    |
| SCD.. | 63                         | 125 | 250 | 500 | 1k | 2k | 4k | 8k |
| SCE.. | 63                         | 125 | 250 | 500 | 1k | 2k | 4k | 8k |
| 254   | 63                         | 61  | 57  | 57  | 55 | 52 | 48 | 43 |
| 314   | 64                         | 63  | 60  | 60  | 58 | 55 | 51 | 46 |
| 314HP | 65                         | 69  | 69  | 62  | 65 | 64 | 57 | 44 |
| 354   | 67                         | 66  | 63  | 63  | 61 | 58 | 54 | 49 |
| 354HP | 68                         | 72  | 72  | 65  | 68 | 67 | 60 | 47 |
| 404   | 69                         | 68  | 65  | 64  | 64 | 60 | 56 | 50 |
| 404HP | 68                         | 70  | 70  | 69  | 71 | 69 | 61 | 52 |
| 454   | 72                         | 71  | 68  | 67  | 67 | 63 | 59 | 53 |
| 454HP | 71                         | 73  | 73  | 72  | 74 | 72 | 64 | 55 |
| 504   | 75                         | 75  | 71  | 72  | 71 | 68 | 62 | 57 |
| 504HP | 73                         | 74  | 74  | 76  | 79 | 76 | 74 | 62 |
| 564   | 79                         | 79  | 75  | 74  | 75 | 71 | 68 | 61 |
| 564HP | 76                         | 74  | 77  | 78  | 80 | 77 | 75 | 66 |
| 634   | 85                         | 77  | 81  | 82  | 80 | 79 | 76 | 70 |

The In-Duct Sound Power Levels are for the Outlet Side of the fan. Inlet Side levels are generally 1-2dB lower. The levels are based on the fans operating at approximately 50% of peak pressure.

## ANCILLARY EQUIPMENT

|   |  |   |
|---|--|---|
| <br>CC - Circular Attenuator<br>Ref. H-16 | <br>Vibration Isolators<br>Ref. I-1   | <br>CMF - Matching Flange<br>Ref. J-4  |
| <br>CFT - Mounting Feet<br>Ref. J-6       | <br>CIC - Inlet Cone<br>Ref. J-7      | <br>DG - Finger Guards<br>Ref. J-9     |
| <br>Shutters<br>Ref. L-6/8                 | <br>VA - Speed controller<br>Ref. M-5 | <br>SD - Star/Delta switch<br>Ref. M-7 |
| <br>VZ - Run-on timer<br>Ref. M-14        |  |   |

## DIMENSIONS



| Model | Dimensions, mm |     |     |    |      |     |
|-------|----------------|-----|-----|----|------|-----|
|       | SC..           | AØ  | BØ* | C  | D    | EØ  |
| 254   | 305            | 250 | 180 | 8  | 7.0  | 285 |
| 314   | 382            | 315 | 180 | 8  | 9.5  | 356 |
| 354   | 421            | 350 | 180 | 8  | 9.5  | 395 |
| 404   | 466            | 400 | 190 | 12 | 9.5  | 438 |
| 454   | 515            | 450 | 190 | 12 | 9.5  | 487 |
| 504   | 567            | 500 | 250 | 12 | 9.5  | 541 |
| 564   | 636            | 560 | 250 | 16 | 11.5 | 605 |
| 634   | 709            | 630 | 250 | 16 | 11.5 | 674 |

\* Dimension B is internal for the casing.



Scan the QR code to view more information online.

