



DESCRIPTION

The CF Series of compact axial fans is designed for use in applications ranging from computer equipment cooling to the ventilation of light boxes and switchboards.

For specific applications, sizes other than those shown are available on request.

Typical Applications

Designed to ventilate and cool equipment such as computers, light boxes and switchboards.

Features

- Compact and robust construction.
- High performance with low noise levels.
- Electrophorescent baked enamel finish on surfaces subject to corrosion.
- Can be mounted at any angle.

Construction

The fan housings are made of pressure die-cast aluminium, resulting in a robust and durable product. All surfaces subject to corrosion have an electrophorescent baked enamel finish which is resistant to impact and abrasion.

Motors

Type - external rotor shaded pole motor.
 Electrical supply - 230V, single-phase, 50Hz.
 Bearings - sealed for life, ball.
 These fans are not speed-controllable.
 Class A insulation

Internal Thermal Protection

Impedance protected

Testing

Air flow testing

Model CF112: DIN 24 163
 Model CF132: AMCA A210/85

Noise testing

Model CF112: ISO 3745
 Model CF132: ISO 3744:2010

Wiring Diagram

See page N-8, diagram ER6.


SUGGESTED SPECIFICATION

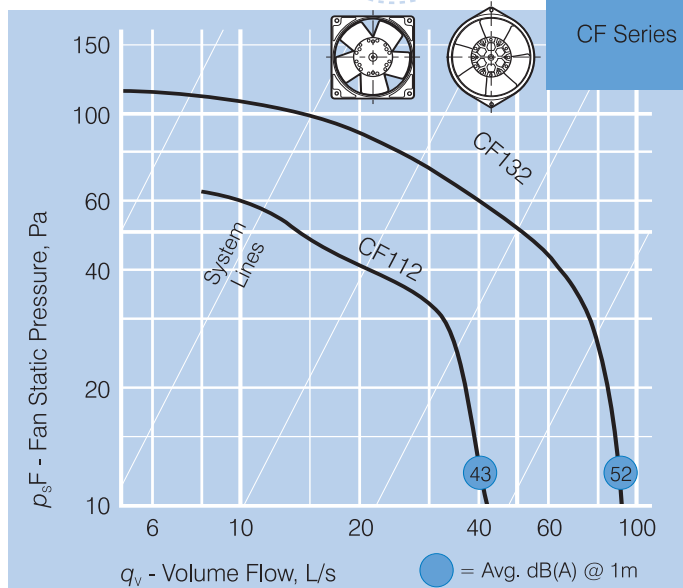
The fans shall be of the CF series as supplied by Fantech Pty Ltd. Housings shall be of injection-moulded aluminium with a corrosion resistant finish.

Model CF112 shall be fully tested to DIN 24 163 for air flow and ISO 3745 for noise.

Model CF132 shall be fully tested to AMCA A210/85 for air flow and ISO 3744:2010 for noise.

ANCILLARY EQUIPMENT

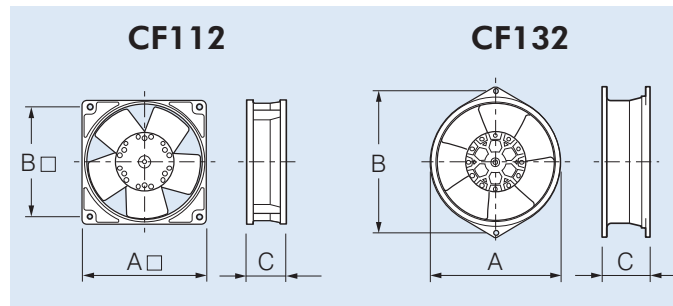
| | | |
|---|--|--|
|  FG - Finger Guards Ref. J-9 | | |
|---|--|--|



TECHNICAL DATA

| Model Number | Fan Speed rev/sec | Avg. dB(A) @ 1m | CF. 1 ph. Watts | Amps | Max. °C |
|--------------|-------------------|-----------------|-----------------|------|---------|
| 112 | 55 | 42 | 4.4 | 0.05 | 75 |
| 132 | 46 | 50 | 46 | 0.30 | 70 |

DIMENSIONS



| Model Number | Dimensions, mm | | | Approx. weight kg. |
|--------------|----------------|-----|----|--------------------|
| CF. | A | B | C | |
| 112 | 119 | 119 | 38 | 0.25 |
| 132 | 150 | 162 | 55 | 1.20 |

HOW TO ORDER

Select the fan that exhausts the closest to your requirements. If the performance falls between the two models, select the fan that handles the most air.



Scan the QR Code to view more information online.

