



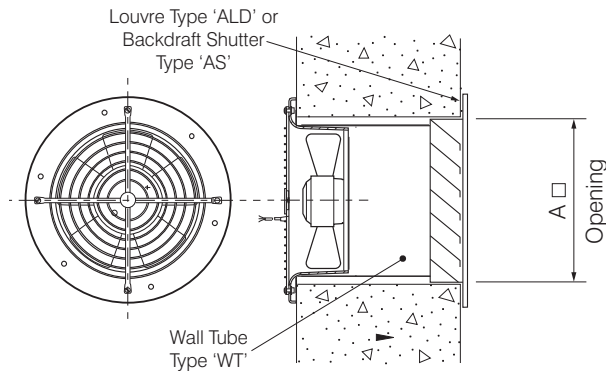
RING PLATE

Ceiling Mounted Fan

Installation & Maintenance Instructions

1. Check fan for possibility of transit damage.
2. Ensure that the duct is clear of any debris that could be drawn into the fan impeller.
3. Check the fan is free to rotate.
4. Wiring diagrams are provided on all fans.
5. Fans 202 to 356 have automatic self resetting thermal cut-out switches incorporated in the motor as standard. Except for the Minitube range which are fitted with a manual reset thermal overload device.
6. All fans are provided with sealed-for-life bearings and are virtually maintenance free.
7. Connections, cables and cords must be installed in accordance with local regulations. This product must be installed by a licensed Electrician.
8. The Licensed Electrical installer must ensure that an approved means of disconnection be incorporated into the fixed wiring.
9. This appliance is not intended for use by young children or infirm persons unless they have been adequately supervised to ensure that they can use it safely. Young children should be supervised to ensure that they do not play with the appliance.
10. For duct or partition mount, precautions must be taken to avoid the back-flow of gases into the room from the open flue of gas or other open-fire appliances.
11. The Minitube range of duct fans must be fitted with a minimum of 1m of duct to both inlet and outlet spigots.
12. After starting check:-
For excessive vibration
Full load Amps and ensure they do not exceed the nameplate Amps.

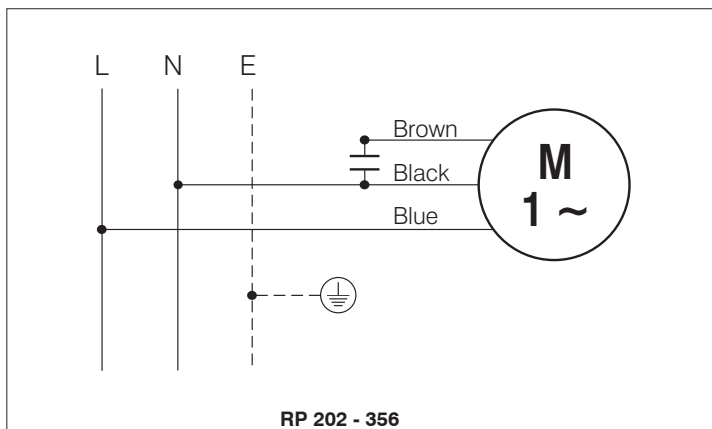
Installation Arrangements



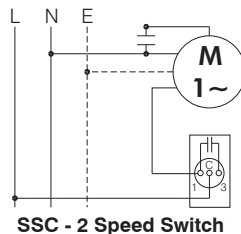
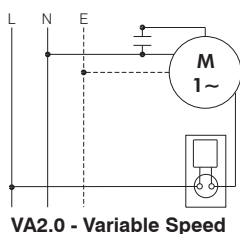
Fan Model	A □
RP202/4	215
RP252/4	267
RP302/4/6	318
RP354/6	375

Dimensions in mm

Wiring Diagram



Speed Controllers (Supplied as optional)





RING PLATE

Ceiling Mounted Fan

GOODS AND WARRANTY

- When supplying goods to a consumer, the following mandated statement applies:
“Our goods come with guarantees that cannot be excluded under the Australian Consumer Law. You are entitled to a replacement or refund for a major failure and for compensation for any other reasonably foreseeable loss or damage. You are also entitled to have the goods repaired or replaced if the goods fail to be of acceptable quality and the failure does not amount to a major failure.”
- The benefits of this warranty are in addition to any rights and remedies imposed by Australian State and Federal legislation that cannot be excluded. Nothing in this warranty is to be interpreted as excluding, restricting or modifying any State or Federal legislation applicable to the supply of goods and services which cannot be excluded, restricted or modified.
- Subject to the conditions and limitation below, the Company warrants products of its manufacture to be free of defects in workmanship and/or materials at the time of delivery to the Buyer.
- Any part, assembly or portion thereof found to be defective within one year from the date of commissioning or eighteen (18) months from date of shipment from our factory, whichever is the sooner, unless expressly stated otherwise in the Company’s Publications or Literature, will be repaired or exchanged F.O.B factory.
- The Company reserves the right to replace defective parts of the goods with parts and components of similar quality, grade and composition where an identical component is not available.
- Goods presented for repair may be replaced by refurbished goods of the same type rather than being repaired. Refurbished parts may be used to repair the goods.
- Goods or parts that have been returned for repair (except where the repair is as a result of the Company’s failure to comply with the statutory guarantees in the ACL) or warranty assessment are deemed to have been abandoned by the Buyer if not collected within 30 days after the Company has notified the Buyer in writing of the warranty assessment outcome or the completed repair.
- The Company reserves the right to dispose or otherwise deal with an abandoned product or part at its discretion.
- This warranty does not apply if:
 - the goods have not been paid for by the Buyer as per the credit terms provided; or
 - the goods have not been installed in accordance with AS NZS 3000/2000 Australian/New Zealand Wiring rules; or
 - the goods have been misused or neglected.
- The Company assumes no responsibility under this warranty for the labour costs involved in the removal of defective parts, installation of new parts or service charges related thereto.
- If a fault covered by this warranty occurs, the Buyer must first contact the Company at the contact address listed below.
- Any warranty claim must be accompanied by:
 - proof of purchase;
 - written details of the alleged defect; and
 - appropriate documentation (such as installation and maintenance records etc).
- The Company shall have the option of requiring the return of the defective part (transportation prepaid by the Buyer) to establish the claim.
- The Company makes no warranties or representations other than set out in this clause 7.
- The repair or exchange of the goods or part of the goods, is the absolute limit of the Company’s liability under this express warranty.



FANTECH
Intelligent Ventilation

Fantech Contacts

Head Office

Victoria - Melbourne

A.B.N. 11 005 434 024

Ph: +61 (3) 9554 7845

Fax: +61 (3) 9554 7833

Email: info@fantech.com.au

Australia

Adelaide (08) 8294 0530

Brisbane (07) 3299 9888

Darwin (08) 8947 0447

Melbourne H.O. (03) 9554 7845

Perth (08) 9209 4999

Sydney (02) 8811 0400

New Zealand

Auckland H.O. (09) 444 6266

Christchurch (03) 379 8622

Wellington (04) 566 0532

Asia

For agents in the Asian region

call (603) 7846 0340

or visit www.elfantechasia.com

www.fantech.com.au