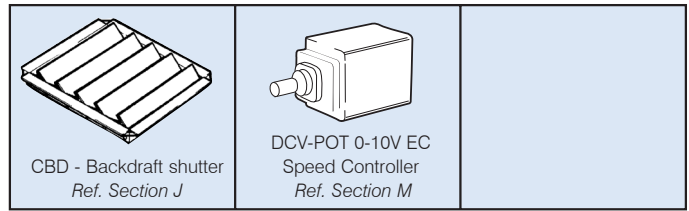




ANCILLARY EQUIPMENT



D DESCRIPTION

The ECOtronic Heritage Series of vertical exhaust roof units has been designed for use in ducted exhaust applications. It combines a high-performance centrifugal fan with an IE6* rated electronically Commutated (EC) shaft motor that delivers ultra-energy efficient operation with the benefit of in-built variable speed control.

Available in 6 sizes ranging from 315 to 560mm diameter.

* Future IE6 level of efficiency, considering 20% less losses than IE5 according to IEC TS 60034-30-2 for variable speed electric motors.

Typical Applications

The ECOtronic Heritage is most efficient in applications where conditions vary during the course of the day such as shopping centres, office buildings, exhibition centres, hotels, health centres, schools and universities.

Can be also used in commercial kitchens and bakeries.

Features

- EC motor features reverse polarity protection, locked rotor protection and soft start
- Can be run as an independent ventilation source or integrated into most building management systems
- Windband can be easily removed to allow easy access for cleaning and maintenance
- Can be remote speed controlled with either a 2-10V, 4-20mA, or frequency duty cycle 10-95% (80Hz, 10-24Vpk)
- Can be manually speed controlled by pressing 2 internal motor buttons
- ECOtronic fans are not designed for hazardous or high temperature conditions
- Maximum operating speed can be limited
- Motor is mounted out of the airstream
- Can be mounted at angles up to 15°

Construction

Robust, yet lightweight galvanised steel construction.

Impellers are a backward-curved centrifugal design.

Windband is fitted with quick-release toggle clamps to facilitate cleaning and maintenance.

Stainless steel construction is an optional extra.

Motors

Type - electronic commutated (EC) motor.

Electricity supply - 200-277V single-phase 50/60Hz and 380-480V three-phase 50/60Hz.

Bearings - sealed-for-life, ball.

See page O-7 for details on motors.

IP55 rating.

Internal Thermal Protection

Integral thermal overload protection is supplied as standard.

Testing

Air flow tests to ISO5801: 2007

Noise tests to ISO3744: 2010

Wiring Diagram

Multiple options, refer to manual

Special Note

EC motors should be directly connected to their appropriate power supply. EC motors should not be regularly power cycled.

SUGGESTED SPECIFICATION

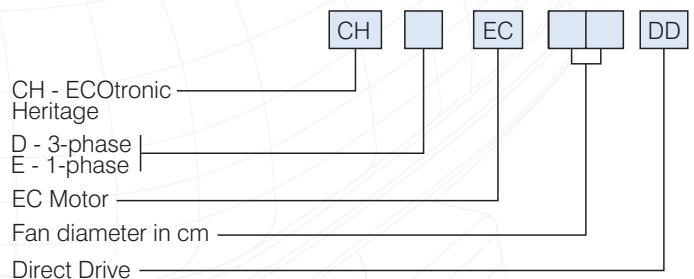
The ECOtronic Heritage Series of vertical exhaust centrifugal roof ventilators shall be as designed and manufactured by Fantech Pty Ltd.

The cowl shall be of galvanised steel unless specified otherwise. Impellers shall be backward-curved centrifugal design and driven by an EC shaft motor with integrated speed controller and motor overload protection.

The windband shall incorporate quick-release toggle clamps to provide easy access for cleaning and maintenance.

All models shall be fully tested as a complete assembled unit to ISO5801: 2007 for air flow and ISO3744: 2010 for noise.

HOW TO ORDER



NOISE DATA

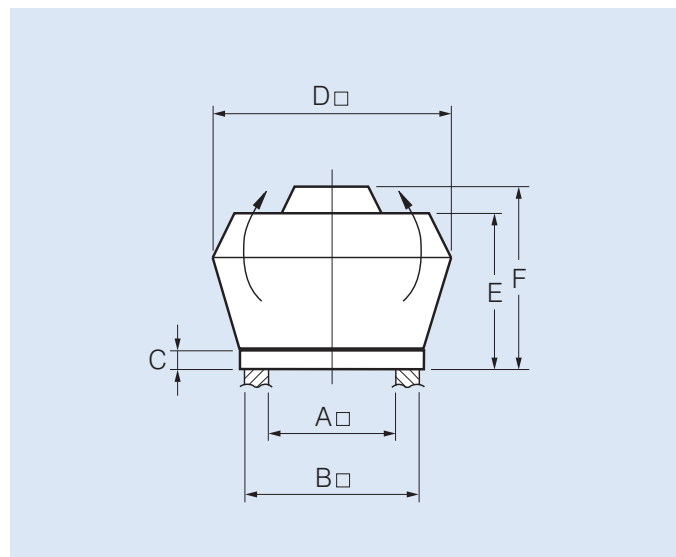
Model Number	Free-field Sound Power Levels, dB							
CHDEC..DD	63	125	250	500	1k	2k	4k	8k
CHEEC..DD	63	125	250	500	1k	2k	4k	8k
31	76	81	82	79	75	70	67	68
35	76	82	83	82	76	76	72	66
40	81	89	92	89	82	76	75	76
45	85	83	78	75	69	70	70	66
50	88	88	83	77	74	74	74	70
56	92	93	89	80	79	78	78	76

TECHNICAL DATA

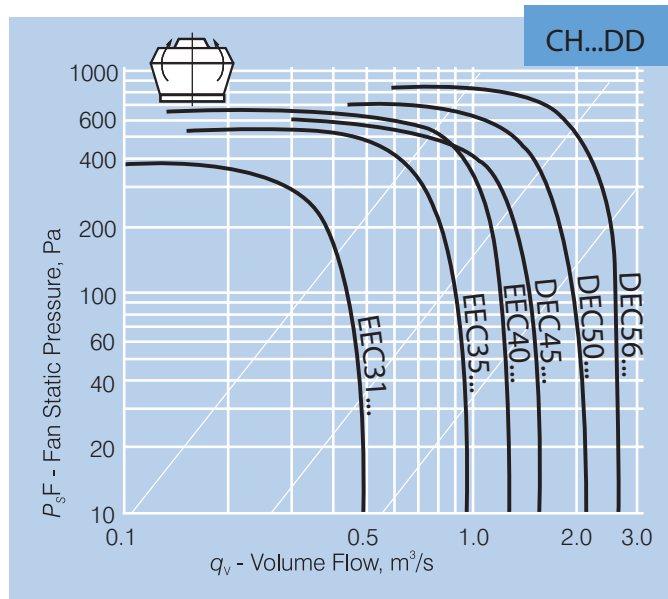
Model	Max. Fan Speed	Avg. dB(A) @ 3m	CHEEC..DD 1ph		CHDEC..DD 3ph	
CHEEC..DD	rev/sec*		kW	Amps	kW	Amps
31..	30	60	0.37	3.2	-	-
35..	30	63	0.55	4.2	-	-
40..	30	69	1.10	8.9	-	-
45..	25	58	-	-	1.50	2.92
50..	25	62	-	-	2.20	4.22
56..	25	66	-	-	3.00	5.68

* The fan will maintain the set speed whether run on 50 or 60Hz supply.

DIMENSIONS



Model	Dimensions, mm						Approx. weight
CHDEC..DD	A	B	C	D	E	F Max	kg
CHEEC..DD	A	B	C	D	E	F Max	kg
31	310	410	50	520	310	540	30
35	400	500	50	665	420	550	35
40	400	500	50	665	420	570	37
45	620	720	60	900	540	790	49
50	620	720	60	900	540	820	51
56	620	720	60	900	540	850	56



Scan the QR code to view more information online.

