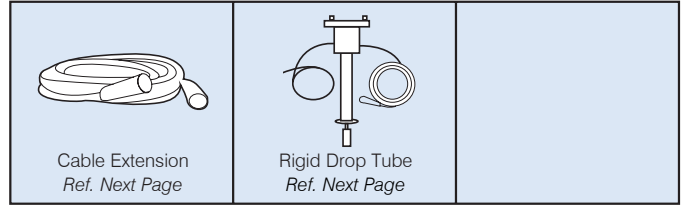


HUNTER RM SERIES HVLS FANS



ANCILLARY EQUIPMENT



DESCRIPTION

The Hunter RM series High Volume, Low Speed (HVLS) is specially designed for hassle-free and cost saving installations. Engineered with a direct drive motor and single phase input, the RM comes with a pre-wired drop tube that uses a self-levelling and a quick connect mounting system.

They are available in 3 sizes, 2400, 3000 and 3600mm diameter.

Typical Applications

Large indoor facilities where generating air movement is essential for improving comfort such as warehouses, factories, workshops, gymnasiums and public recreation facilities.

Features

- Energy efficient and compact, single phase direct drive permanent magnet motor.
- Blades are formed with a unique twist profile for each individually fan size to maximise air flow and minimise noise levels.
- Time saving plug-n-play system includes pre-installed bolts, pre-wired rigid drop tube
- Pre-aligned mounting bracket and I-beam clamp.
- Highly efficient 4 blade configuration.
- Comes with a pre-configured proprietary VSD.
- 1/1 analogue controller with basic speed control in forward or reverse.

Construction

Powder coated steel rigid drop tube with mounting bracket. Extruded blades and motor hub are made from aluminium.

Motors

Type – Direct drive, permanent magnet motor.

Electricity supply - 200-240V single-phase, 50/60Hz.

Bearings - sealed-for-life, ball.

See page O-7 for details on motors.

Internal Thermal Protection

Thermal protection is supplied as standard on all motors.

Testing

Max air flow based on AMCA230-15 and AMCA 230-99

Wiring Diagram

Please refer all enquires to Fantech sales engineers.

SUGGESTED SPECIFICATION

The High Volume, Low Speed (HVLS) fans shall be of the Hunter RM Series as supplied by Fantech Pty Ltd and be of the model numbers shown on the schedule/drawings.

Impeller blades shall be made of extruded aluminium and shall feature a contour and twist design. They shall include a powder coated quick-connect rigid drop tube that does not required guide wires.

The HVLS fan shall use a single phase direct drive, permanent magnet motor that generates large amounts of torque while operating at low speeds and is equal to or less than 0.5 kilowatts.

It will come with a 1/1 controller that switches the fan on and off, adjust fan speed and changes the fan's rotation direction from forward to reverse.

All models shall be fully tested to AMCA230-15 and AMCA 230-99

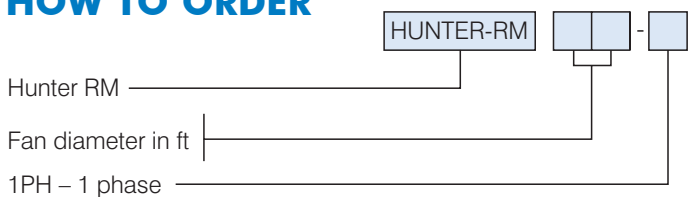
PERFORMANCE & SELECTION

Visit the Fantech online HVLS Selection Tool to calculate the number of Hunter fans needed, installation spacing and cooling effect required.

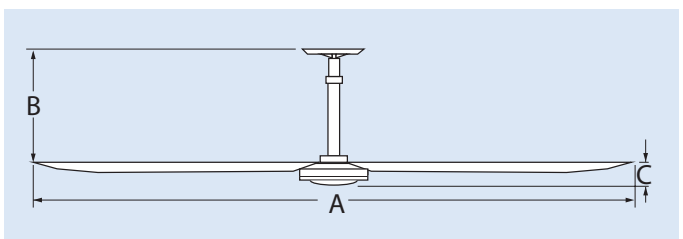
<https://www.fantech.com.au/hvls>

Please refer all enquires to Fantech sales engineers.

HOW TO ORDER



DIMENSIONS



| Model Number | Dimensions, mm | | | Weight, kg* |
|--------------|----------------|-----|-----|-------------|
| | A | B | C | |
| HUNTER-RM.. | | | | |
| 08-1PH | 2400 | 610 | 127 | 47 |
| 10-1PH | 3000 | 610 | 127 | 49 |
| 12-1PH | 3600 | 610 | 127 | 53 |

* Total fan hang weight. Included blades, motor, hanging system, accessories

TECHNICAL DATA

| Model Number | Motor rpm | Supply | kW | Full Load Amps | Sound (dBA) | Max air flow m ³ /s AMCA 230-15 | Max air flow m ³ /s AMCA 230-99 | Effective range* Area m ² |
|--------------|-----------|---------|-------|----------------|-------------|--|--|--------------------------------------|
| HUNTER-RM.. | | | | | | | | |
| 08-1PH | 156 | 1-phase | 0.466 | 2.4 | <55 | 15.41 | 21.80 | 95 |
| 10-1PH | 139 | 1-phase | 0.466 | 2.4 | <55 | 25.02 | 35.39 | 149 |
| 12-1PH | 108 | 1-phase | 0.466 | 3.6 | <55 | 30.38 | 42.97 | 214 |

* Effective range area is based on 1.5 to 2 m/s air flow at face/chest level

HUNTER RIGID DROP TUBE



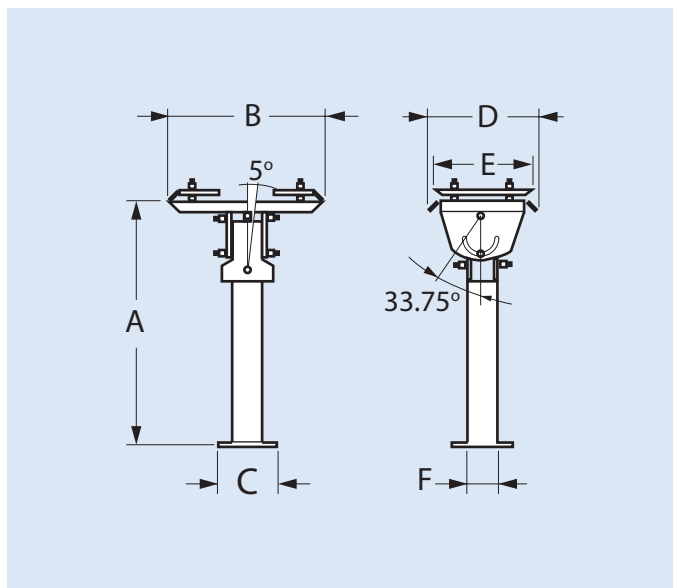
DESCRIPTION

Hunter an all-in-one, pre-wired drop tube reduces installation time with a quick connect clamping plate.

Features

- Pre-wired with power and safety cable
- No guide wires required
- Integrated motor mounting plate
- Quick connect clamping system that eliminates the need to drill holes in the building's I-beam
- Self-levelling mount bracket that is locked into place once set
- Recommended for the Hunter RM series of HVLS fans

DIMENSIONS



| Model Number | Dimensions, mm | | | | | | App Wt. kg |
|--------------|----------------|-----|-----|-----|-----|----|------------|
| | A | B | C | D | E | F | |
| HUNTER-RDR3 | 900 | 360 | 130 | 245 | 200 | 60 | 22 |
| HUNTER-RDR4 | 1210 | 360 | 130 | 245 | 200 | 60 | 24 |

HUNTER FAN CABLE EXTENSION



Description

Hunter cable 8m extension can be added to the standard 5m cable between the HVLS fan and the VSD. This allows the drive to be mounted further away from the fan if required.

Model Number

HUNTER-DR-27CA