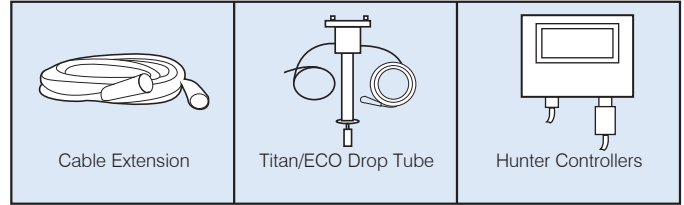


# HUNTER ECO HVLS FANS



## ANCILLARY EQUIPMENT



## Internal Thermal Protection

Thermal protection is supplied as standard on all motors.

## Testing

Max airflow based on AMCA230-15 and AMCA 230-99

## DESCRIPTION

The Hunter ECO is a light weight HVLS fan available with robust direct drive motor and structural aluminium blade design. The range comes with the plug & play, pre-assembled technology to simplify installation and can be used into a network of up to ten HVLS fans.

The range is available in 8 sizes; 2400, 3000, 3600, 4200, 4800, 5500, 6100 and 7300mm diameter sizes

## Typical Applications

Large indoor facilities where generating air movement is essential for improving comfort such as warehouses, factories, workshops, gymnasiums and public recreation facilities.

## Features

- Energy efficient and compact, 3 phase direct drive permanent magnet motor
- Highly efficient 4 blade configuration designed to maximise airflow performance
- The blade is formed with a unique twist profile for each individually fan size to maximise air flow and minimise noise levels
- Time saving plug-n-play system includes pre-installed bolts and pre-wired drop tube
- Pre-aligned mounting bracket and I-beam clamp
- Comes with a pre-configured proprietary VSD
- Manage up to 5 fans with Hunter's Basic Controller or a network of 10 fans with the Premium Hunter Controller

## Construction

Powder coated steel rigid drop tube with mounting bracket. Extruded blades and motor hub are made from structural aluminium.

## Motors

Type – Direct drive, permanent magnet motor.

Electricity supply - 380-480V, 3-phase, 50/60 Hz

Bearings - sealed-for-life, ball.

See page O-7 for details on motors.

## SUGGESTED SPECIFICATION

The High Volume, Low Speed (HVLS) fans shall be of the Hunter ECO Series as supplied by Fantech Pty Ltd and be of the model numbers shown on the schedule/drawings.

Impeller blades shall be made of extruded structural aluminum and shall feature a contour and twist design. They shall include a powder coated quick-connect self-leveling drop tube will guide wires.

The HVLS fan shall use a 3-phase direct drive, permanent magnet motor that generates large amounts of torque while operating at slow speeds and is equal to or less than 0.5 kilowatts.

It will come with a touchscreen controller designed to manage a network of multiple HVLS fans and sensors, adjust fan speed and changes the fan's rotation direction from forward to reverse.

All models shall be fully tested to ANSI/AMCA Standard 230-15 for air flow.

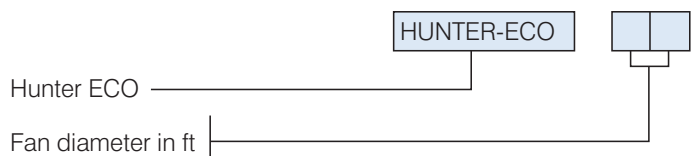
## PERFORMANCE & SELECTION

Visit the Fantech online HVLS Selection Tool to calculate the number of Hunter fans needed, installation spacing and cooling effect required.

<https://www.fantech.com.au/hvls>

Please refer all enquires to Fantech sales engineers

## HOW TO ORDER

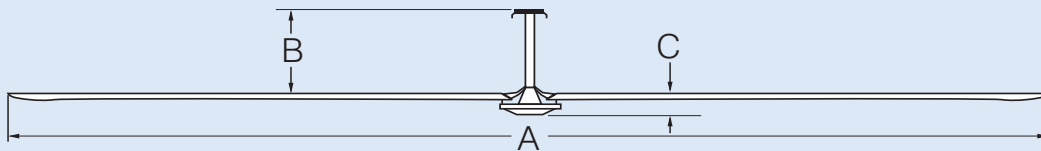


## TECHNICAL DATA

Model Number HUNTER-ECO..	Motor rpm	Supply	kW	Full Load Amps	Sound (dBA)	Max airflow m <sup>3</sup> /s AMCA 230-15	Max airflow m <sup>3</sup> /s AMCA 230-99	Effective range* Area m <sup>2</sup>
08	156	3-phase	0.47	1.2	<55	15.41	21.80	95
10	139	3-phase	0.47	1.9	<55	25.02	35.39	149
12	107	3-phase	0.47	1.9	<55	30.38	42.97	214
14	107	3-phase	0.47	2.0	<55	40.69	57.55	291
16	95	3-phase	0.47	2.2	<55	51.40	72.70	380
18	78	3-phase	0.47	2.0	<55	60.27	85.25	484
20	77	3-phase	0.47	2.1	<55	72.17	102.08	595
24	61	3-phase	0.47	2.3	<55	96.48	136.46	858

\* Effective range area is based on 1.5 to 2 m/s air flow at face/chest level

## DIMENSIONS



Model Number HUNTER-ECO..	Dimensions, mm A	B, Drop tube length **	C	Weight. kg*
08	2400	610, 900 or 1210	178	40
10	3000		178	43
12	3600		178	46
14	4200		178	58
16	4800		178	61
18	5500		178	62
20	6100		178	66
24	7300		178	72

\* Total fan hang weight. Included blades, motor, hanging system, accessories

\*\* Available with 610, 900 or 1210mm drop tubes as standard. Optional 1800, 2400 and 3000mm drop tubes are also available.

# HUNTER HVLS FAN ANCILLARIES

## HUNTER RM SERIES RIGID DROP TUBE



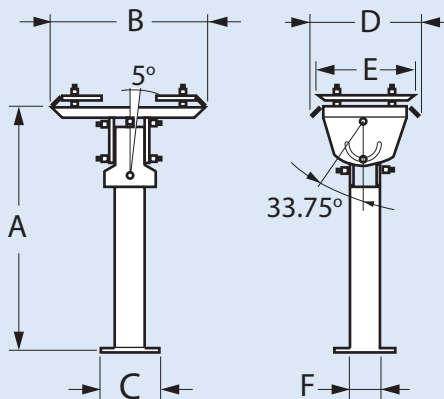
### DESCRIPTION

Rigid all-in-one, pre-wired drop tube reduces installation time with a quick connect clamping plate.

### FEATURES

- Pre-wired with power and safety cable
- No guide wires required
- Integrated motor mounting plate
- Quick connect clamping system that eliminates the need to drill holes in the building's I-beam
- Self-levelling mount bracket that is locked into place once set
- Recommended for the Hunter RM series of HVLS fans

### DIMENSIONS



Model Number	Dimensions, mm						App Wt. kg
	A	B	C	D	E	F	
HUNTER-RDR3	900	360	130	245	200	60	22
HUNTER-RDR4	1210	360	130	245	200	60	24

## HUNTER TITAN/ECO SERIES DROP TUBE



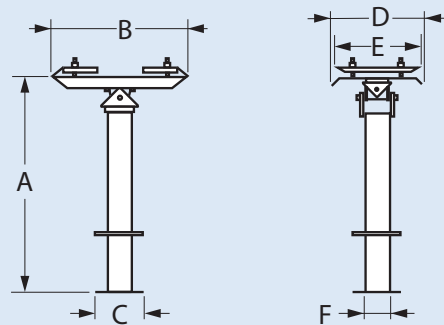
### DESCRIPTION

An all-in-one, pre-wired drop tube reduces installation time with a quick connect clamping plate.

### FEATURES

- Pre-wired with power and safety cable
- Comes with guide-wires for extra stability
- Integrated motor mounting plate
- Quick connect clamping system that eliminates the need to drill holes in the building's I-beam
- Self-levelling mount bracket that is locked into place once set
- Recommended for the Hunter Titan and ECO series of HVLS fans

### DIMENSIONS



Model Number	Dimensions, mm						App Wt. kg
	A	B	C	D	E	F	
HUNTER-DR2	610	360	130	245	200	60	16
HUNTER-DR3	900	360	130	245	200	60	18
HUNTER-DR4	1210	360	130	245	200	60	20
HUNTER-DR6	1800	360	130	245	200	60	22
HUNTER-DR8	2400	360	130	245	200	60	24
HUNTER-DR10	3000	360	130	245	200	60	26

## HUNTER PREMIUM NETWORK CONTROLLER



### DESCRIPTION

Hunter's simple to use Premium Network Controller features a touch screen graphic interface which makes managing a network of up to 10 HVLS fans easy. This flexible controller can be factory pre-configured to operate each fan individually or help drive an energy saving Demand Control Ventilation system.

### Features

- Speed control up to 10 HVLS fans in forward or reverse
- HVLS fans can be managed individually or as a group
- Password protected 7-day scheduling
- Integrated fan diagnostics for troubleshooting
- Reliable Ethernet connectivity with TCP/ IP

Model Number	Dimensions, mm
HUNTER-PREMIUM5	200W X 200H X 75D

## HUNTER BASIC NETWORK CONTROLLER



### DESCRIPTION

The touch screen Basic Network Controller is designed to manage up to 5 hunter HVLS fans individually. It can turn each fan on and off, alter fan speed and rotation direction.

### Features

- Speed control up to 5 HVLS fans in forward or reverse
- Reliable Ethernet connectivity with TCP/ IP

Model Number	Dimensions, mm
HUNTER-BASIC5	200W X 200H X 75D

## HUNTER HVLS FAN CABLE EXTENSION



### Description

Hunter cable 8m extension can be added to the standard 5m cable between the HVLS fan and the VSD. This allows the drive to be mounted further away from the fan if required.

**Model Number**  
HUNTER-DR-27CA