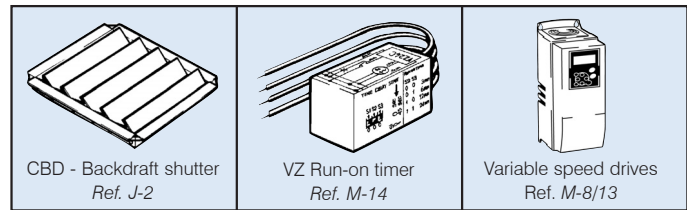


ANCILLARY EQUIPMENT



CBD - Backdraft shutter
Ref. J-2

VZ Run-on timer
Ref. M-14

Variable speed drives
Ref. M-8/13

DESCRIPTION

The Heritage Ultra Series of vertical exhaust roof units has been designed for use in ducted exhaust applications. It features a high performance Mixed-Flow fan and removable windband which makes cleaning and maintenance easy.

There are 9 sizes in the series extending from 250 to 630mm diameter.

Typical Applications

Can exhaust air for applications such as commercial kitchens and bakeries. Can also exhaust toxic gases in industrial applications.

Features

- Durable galvanised steel construction.
- Designed to handle clean air, grease laden air, toxic and noxious gases.
- Motor is mounted out of the airstream.
- Special finishes, such as powder coating and epoxy coating can be supplied.
- Available in a range of speeds to suit specific applications.
- Windband can be easily removed to allow easy access for cleaning and maintenance.
- Can be mounted at angles up to 15°.

Construction

Cowls are of galvanised steel and can be powder-coated as an optional extra.

Impellers are Mixed-Flow design.

Windband is fitted with quick-release toggle clamps to facilitate cleaning and maintenance.

Stainless steel construction is an optional extra.

Motors

Type - standard TEFC squirrel cage induction motors.

Electricity supply - three-phase to suit a wide range of voltages and frequencies.

Bearings - sealed-for-life, ball.

Speed-controllable using variable speed drives.

Multi-speed motors can be supplied.

Internal Thermal Protection

Thermistors can be fitted on request

Testing

Air flow to ISO 5801: 2007

Noise tests based on ISO13347-3

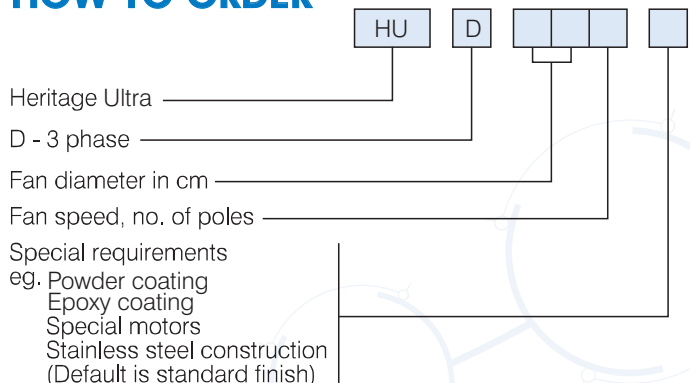
Wiring Diagram

See pages N-6/7 diagrams DD 1, 2, 3, 7, 8.

NOISE DATA

Model	HUD..	In-Duct Spectrum Corrections, dB							
		63	125	250	500	1k	2k	4k	8k
254	Inlet	63	61	57	58	56	51	43	39
	Outlet	61	65	63	62	59	59	48	43
284	Inlet	60	62	61	62	58	54	47	45
	Outlet	59	67	66	66	63	62	53	48
314	Inlet	66	68	66	66	62	57	52	49
	Outlet	64	71	70	70	67	64	57	55
316	Inlet	58	61	58	58	53	47	40	32
	Outlet	56	62	63	60	58	55	49	43
354	Inlet	72	70	73	68	65	59	54	51
	Outlet	71	75	74	72	70	66	59	56
356	Inlet	65	69	68	64	56	53	48	40
	Outlet	64	71	71	66	62	60	57	49
404	Inlet	70	78	74	72	69	66	61	60
	Outlet	76	83	79	77	75	71	67	64
406	Inlet	66	72	67	64	57	57	52	44
	Outlet	66	74	72	68	64	62	60	52
454	Inlet	71	81	78	74	69	67	62	61
	Outlet	78	83	79	79	77	74	69	61
456	Inlet	64	74	70	66	60	60	54	46
	Outlet	68	74	71	70	67	63	56	46
504	Inlet	81	84	79	78	72	69	64	67
	Outlet	81	91	85	83	79	74	70	67
506	Inlet	69	77	72	69	63	62	57	51
	Outlet	75	78	74	73	70	65	58	48
508	Inlet	70	66	65	62	55	52	46	37
	Outlet	70	67	66	66	62	55	46	36
564	Inlet	78	83	81	79	77	71	66	67
	Outlet	81	88	86	86	85	77	72	70
566	Inlet	71	78	74	70	66	63	58	54
	Outlet	72	78	75	75	71	66	59	49
568	Inlet	67	69	66	64	59	54	47	39
	Outlet	69	70	68	69	65	56	48	36
634	Inlet	85	91	88	84	82	76	71	71
	Outlet	88	96	92	92	87	81	76	72
636	Inlet	69	79	77	72	66	64	60	57
	Outlet	72	81	79	79	72	67	61	51
638	Inlet	69	72	71	66	63	59	53	49
	Outlet	74	74	72	73	68	61	52	42

HOW TO ORDER



HERITAGE ULTRA SERIES

SUGGESTED SPECIFICATION

The roof ventilators shall be of the Heritage Ultra vertical exhaust series as designed and manufactured by Fantech Pty. Ltd and be of the model numbers shown on the schedule/drawing.

The cowl shall be of galvanised steel unless specified otherwise. Impellers shall be Mixed-Flow design and driven by standard TEFC motors unless specified otherwise.

The windband shall incorporate quick-release toggle clamps to provide easy access for cleaning and maintenance.

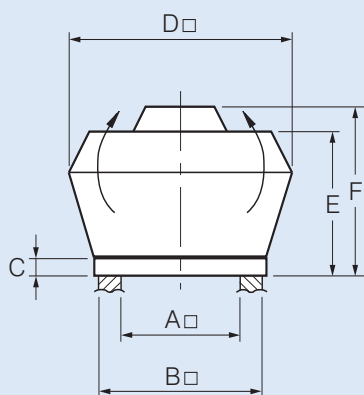
All models shall be fully tested as a complete assembled unit to ISO5801: 2007 for air flow. Noise tests shall be based on ISO13347-3

TECHNICAL DATA

Model HUD..	Nom. Speed rev/sec	Avg. dB(A) @ 3m Inlet Sound	Avg. dB(A) @ 3m Outlet Sound	Motor kW
254	24	39	44	0.37
284	24	42	47	0.37
314	24	46	51	0.37
316	16	37	42	0.37
354	24	49	54	0.55
356	16	44	48	0.37
404	24	53	59	1.10
406	16	44	50	0.37
454	24	55	61	1.10
456	16	47	51	0.37
504	24	58	64	1.50
506	16	50	54	0.55
508	12	41	46	0.37
564	24	60	67	2.20
566	16	51	55	0.75
568	12	44	48	0.37
634	24	66	72	5.50
636	16	53	58	1.50
638	12	47	52	0.55

Amperages for motors can be obtained at the time of order or from the motor nameplate.

DIMENSIONS



Model HUD..	Dimensions, mm						Approx.* weight kg.	Approx volume m³
	A□	B□	C	D□	E	F max.		
HUD254	310	410	50	520	310	540	20	0.06
HUD284	310	410	50	520	310	540	23	0.06
HUD314	400	500	50	665	420	550	26	0.15
HUD316	400	500	50	665	420	550	26	0.15
HUD354	400	500	50	665	420	570	31	0.13
HUD356	400	500	50	665	420	570	31	0.13
HUD404	620	720	60	900	540	790	53	0.36
HUD406	620	720	60	900	540	790	31	0.36
HUD454	620	720	60	900	540	820	54	0.35
HUD456	620	720	60	900	540	820	51	0.35
HUD504	620	720	60	900	540	850	56	0.34
HUD506	620	720	60	900	540	850	51	0.34
HUD508	620	720	60	900	540	850	51	0.34
HUD564	710	810	60	1160	665	965	97	0.36
HUD566	710	810	60	1160	665	965	74	0.36
HUD568	710	810	60	1160	665	965	74	0.36
HUD634	710	810	60	1160	665	1000	140	0.36
HUD636	710	810	60	1160	665	1000	81	0.36
HUD638	710	810	60	1160	665	1000	81	0.36

* Unit weights depend on the make of motor used. If critical this should be referred to our sales department at time of order.

