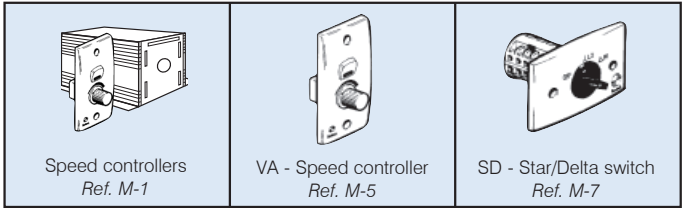


GAMMA SUPPLY ULTRA SERIES



ANCILLARY EQUIPMENT



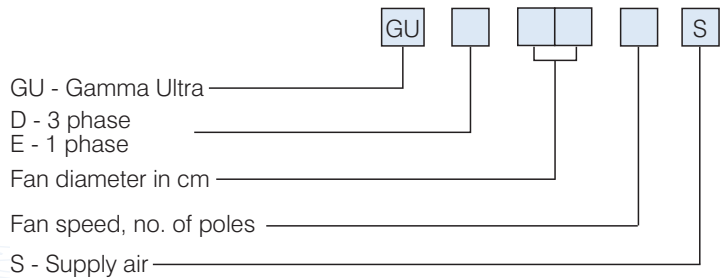
SUGGESTED SPECIFICATION

The roof ventilators shall be of the Gamma Supply Ultra Series supply air type as designed and manufactured by Fantech Pty Ltd. Impellers shall be made from high performance injection moulded composite material. They shall be mixed-flow design and driven by speed-controllable external rotor motors with integral thermal overload protection.

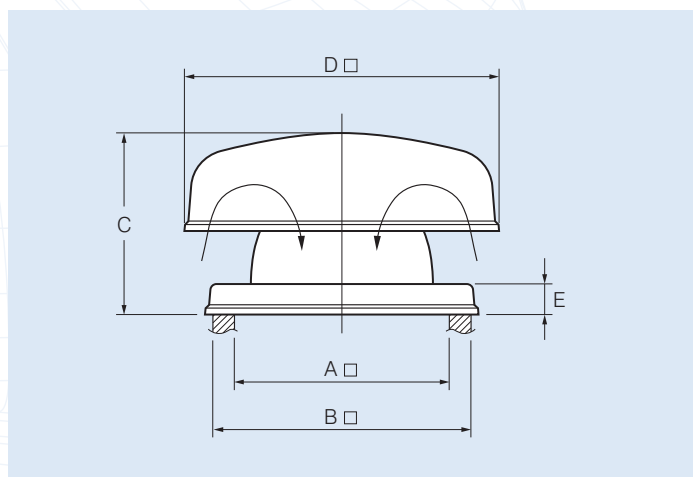
The cowls shall be manufactured from UV-stabilised plastic. Steel components to be corrosion protected.

All performance data shall be for a complete assembled unit based on ISO5801 for air flow and ISO 13347-3 for noise.

HOW TO ORDER



DIMENSIONS



Model Number	Dimensions, mm					Approx. wt. kg
	A	B	C	D	E	
GUE..S						
GUD..S						
45..	805	905	670	1180	95	46
50..	805	905	670	1180	95	51
56..	805	905	670	1180	95	60

DESCRIPTION

The Gamma Supply Ultra Series of mixed-flow roof units have been designed for use in free outlet and ducted installations. These compact and low profile units are ideal for supplying fresh air to an air handling unit or to an air conditioning system in commercial buildings.

They are available in 3 sizes extending from 450 to 560mm diameter.

Typical Applications

Supplying fresh air to an air handling unit or to an air conditioning system in commercial buildings. Also suitable where make-up air or positive pressure is required in the ventilated space.

Features

- Robust, lightweight construction.
- Choice of speeds available.
- Ideal for ducted installations.
- High performance mixed-flow impellers fitted.
- Can be mounted at angles up to 30°.
- Most 3-phase motors are 2-speed star/delta design as standard.
- Speed-controllable using electronic or auto-transformer controllers.

Construction

Cowls are of UV-stabilised plastic. Steel components have a corrosion resistant finish. Impellers are mixed-flow design and are of high performance composite material. Bird-mesh guards are fitted as standard. Shutters cannot be fitted.

Motors

Type - external rotor, squirrel cage induction motor.
 Electricity supply - 230V, single and 415V, three-phase, 50Hz
 Bearings - sealed-for-life, ball.
 Speed-controllable using electronic or auto-transformer controllers.
 Most three-phase units are fitted with 2-speed star/delta design motors.
 See page O-2/3 for details on these motors.

Internal Thermal Protection

Thermal protection is supplied as standard on all motors.

Testing

Air flow tests to ISO 5801: 2007.
 Noise tests to ISO 13347-3.

Wiring Diagram

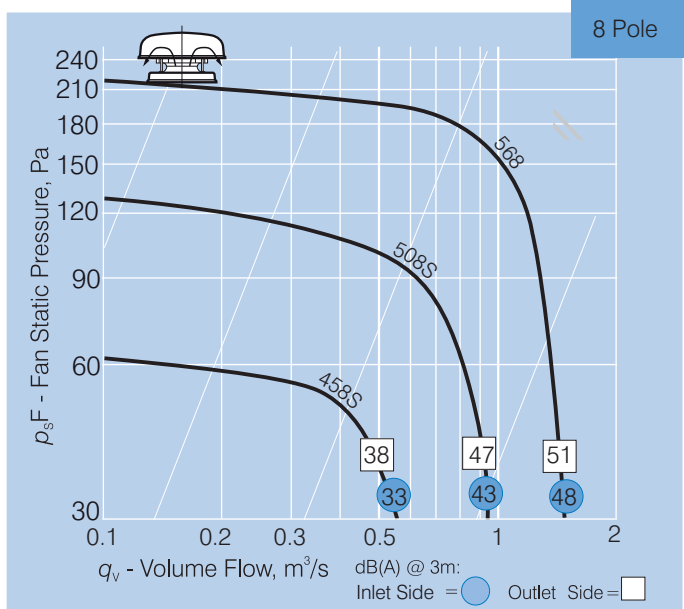
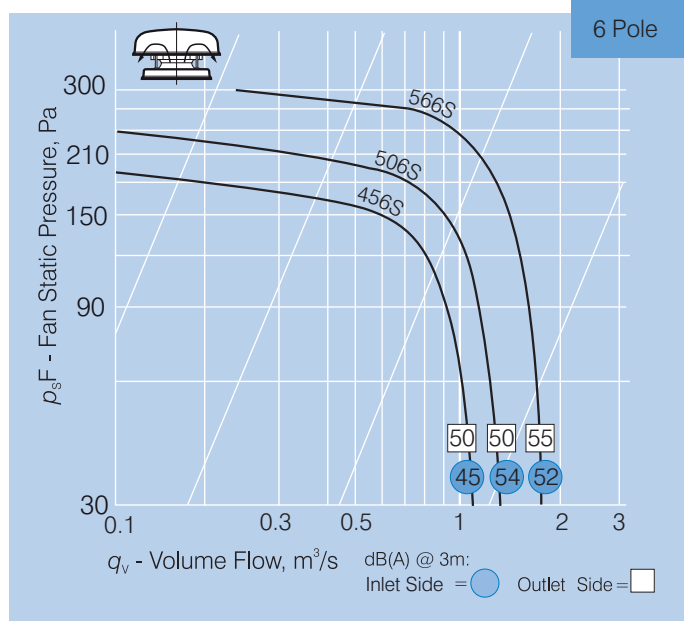
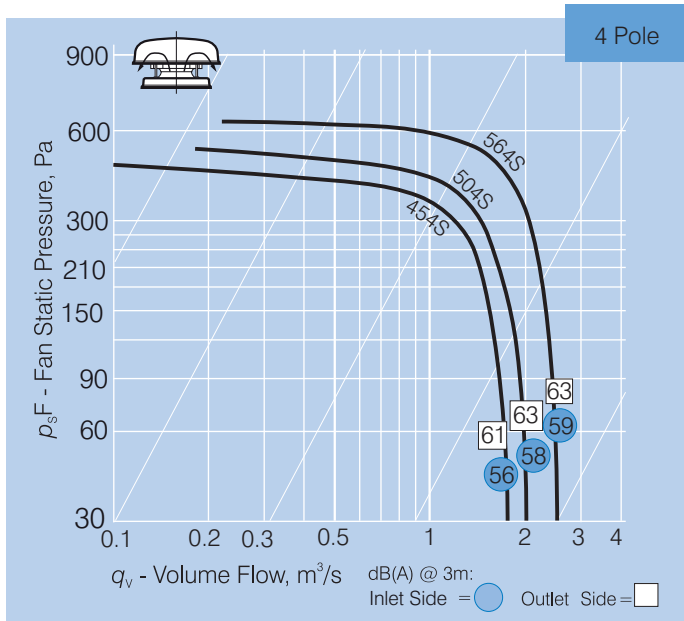
See page N-8, diagram ER 1, 5.

GAMMA SUPPLY ULTRA SERIES

TECHNICAL DATA

Model GUD..S GUE..S	Fan Speed rev/sec	Max. Temp. °C	Avg. dB(A) @ 3m	GUE...S 1 ph		GUD...S 3 ph		In duct Sound Power Levels, dB								
				kW	Amps*	kW	Amps*	125	125	250	500	1k	2k	4k	8k	
454	23	60	Inlet	56	1.10	5.20	1.00	1.95	76	77	80	72	70	69	65	59
			Outlet	61					79	83	86	77	76	72	68	60
456	15	60	Inlet	45	0.37	1.75	0.32	0.70	68	69	68	62	61	59	51	41
			Outlet	50					61	71	74	67	67	62	53	42
458	9	60	Inlet	33	-	-	0.19	0.39	55	56	55	49	48	46	38	28
			Outlet	38	48	58			61	54	54	49	40	29		
504	21	60	Inlet	58	1.65	7.40	1.45	2.80	81	82	78	74	72	72	68	63
			Outlet	63					85	88	85	80	79	74	71	63
506	14	60	Inlet	50	0.54	2.50	0.48	0.88	71	76	69	64	65	66	58	51
			Outlet	54					76	78	75	69	71	66	60	48
508	11	60	Inlet	43	-	-	0.31	0.50	64	69	62	57	58	59	51	44
			Outlet	47	69	71			68	62	64	59	53	41		
564	22	45	Inlet	59	-	-	2.50	4.60	79	84	80	75	76	73	68	65
			Outlet	63	82	86			85	81	80	75	71	64		
566	15	60	Inlet	52	0.84	4.20	0.86	2.20	71	61	68	65	70	66	60	54
			Outlet	55					58	69	72	72	73	68	62	50
568	13	60	Inlet	48	-	-	0.62	1.10	67	67	64	61	66	62	56	50
			Outlet	51	54	65			68	68	69	64	58	46		

* Amperages shown are a guide only, refer to our Sales Department for accurate figures at time of order. Electrical data in **bold** type refers to fans that are fitted with 2-speed star/delta motors as standard.



Scan the QR Code to view more information online.

