
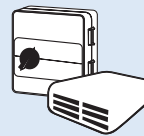


GAMMA SUPPLY ULTRA EC SERIES



ANCILLARY EQUIPMENT

 DCV-CU - Premium Module on-board control pack <i>Ref. M-18</i>	 Controllers & Sensors <i>Ref. Section M-1</i>	
--	---	--

Motors

Type - electronic commutated (EC) motor.
Electricity supply

- 200-277V single-phase, 50/60Hz for 450mm size.
- 380-480V three-phase, 50/60Hz for 500 and 560mm sizes.

Bearings - sealed-for-life, ball.

See page O-7 for details on motors.

Integrated EC Controller providing infinite speed control.

Internal Thermal Protection

Thermal protection is supplied as standard on all motors.

Testing

Air flow tests to ISO 5801: 2007.

Noise tests to ISO 13347-3.

Wiring Diagram

Scan the QR code on next page to view wiring diagrams online.

Special Note

Can be pre-configured to suit specific sensors and specific applications. Please advise Fantech of these parameters at the time of order.

EC motors should be directly connected to their appropriate AC supply. EC motors should not be regularly power cycled.

SUGGESTED SPECIFICATION

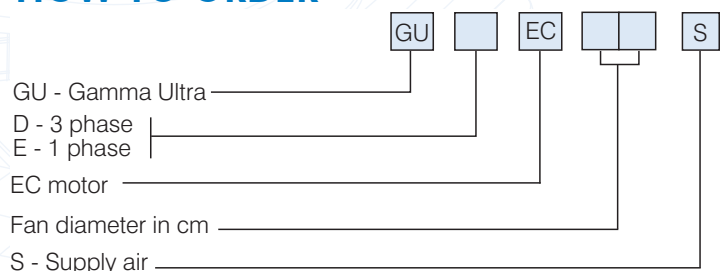
The roof ventilators shall be of the Gamma Supply Ultra EC Series supply air type as designed and manufactured by Fantech Pty Ltd and of the model numbers shown on the schedule/drawings.

Impellers shall be made from high performance injection moulded composite material. They shall be mixed-flow design and driven by EC external rotor motors with integrated EC Controller and integral thermal overload protection. They shall be pre-configured to suit the selected sensors and the required applications.

The cowls shall be manufactured from UV-stabilised plastic. Steel components to be corrosion protected.

All performance data shall be for a complete assembled unit based on ISO5801 for air flow and ISO 13347-3 for noise.

HOW TO ORDER



DESCRIPTION

The Gamma Supply Ultra EC Series of mixed-flow roof units can be used for supplying fresh air to an air handling unit or to an air conditioning system. They incorporate the latest state of the art, energy saving EC motor technology and are most efficient where conditions vary during the course of the day.

They feature integrated infinitely variable speed control and eliminate the need for external VSDs, current overloads and motor phase protection.

The Gamma Supply Ultra EC Series is a simple "plug and play" system which means installers do not need to have specialised control programming knowledge.

Matching sensors can easily be connected to monitor the ambient conditions in a space and provide real time feedback to the fan. The fan's on-board microprocessor can adjust the speed and therefore modulate the ventilation rate to match the specific requirements of the area.

They are available in 3 sizes extending from 450 to 560mm diameter.

Typical Applications

Supplying fresh air to an air handling unit or to an air conditioning system in commercial buildings. Also suitable where make-up air or positive pressure is required in the ventilated space.

Features

- Robust, lightweight construction.
- EC motor features reverse polarity protection, locked rotor protection and soft start.
- No additional protection such as contactors are required.
- All motor sizes can be pre-configured to suit specific sensors and specific applications, and are supplied standard with 0-10V control input.
- A full range of sensors are available including differential pressure, humidity, temperature, air velocity and pollutant.
- Can be run as an independent ventilation source or integrated into most building management systems.
- High performance mixed-flow impellers fitted.
- Can be mounted at angles up to 30°

Construction

Cowls are of UV-stabilised plastic.

Steel components have a corrosion resistant finish.

Impellers are mixed-flow design and are of high performance composite material.

Bird-mesh guards are fitted as standard.

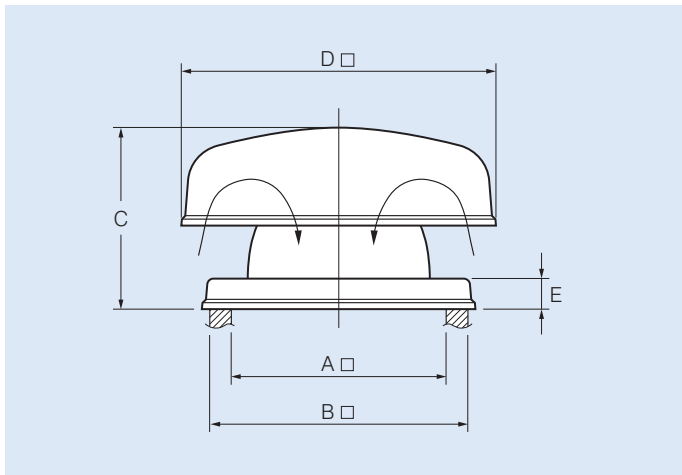
Shutters cannot be fitted.

TECHNICAL DATA

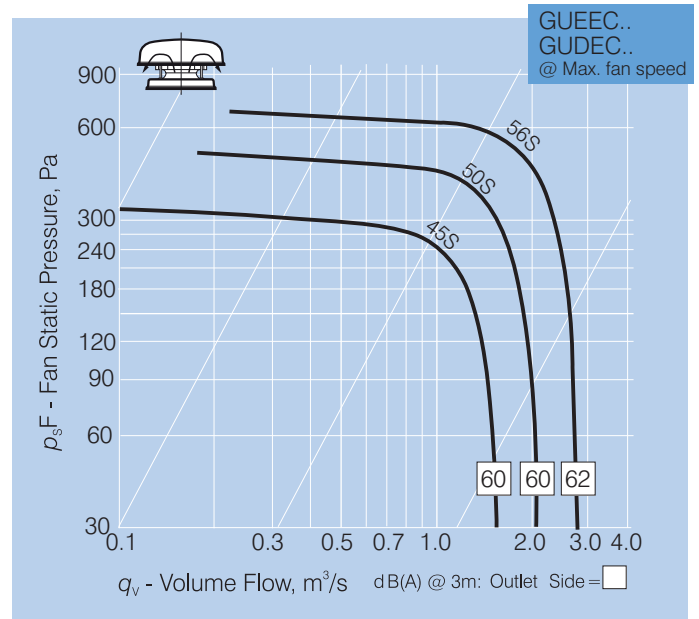
Model Number	Max Fan Speed* rev/sec	Max. Temp °C	Avg. dB(A) @ 3m	GUEEC..S 1 ph		GUDEC..S 3 ph	
				kW	Amps	kW	Amps
45	20	60	54	0.62	2.84	-	-
50	23	40	60	-	-	1.40	2.21
56	24	60	62	-	-	2.65	4.05

* The fan will maintain the set speed whether run on 50 or 60Hz supply. Please use Fans by Fantech Selection Program for sound power levels.

DIMENSIONS



Model Number	Dimensions, mm					Approx. wt. kg
	A	B	C	D	E	
45	805	905	670	1180	95	40
50	805	905	670	1180	95	40
56	805	905	670	1180	95	52



Scan the QR Code to view more information online.

