

BLUE RHINO CENTRIFUGAL FANS: SWSI



DESCRIPTION

The Blue Rhino range of single width, single inlet (SWSI) centrifugal fans features a backward-curved laminar impeller and a heavy duty, fully welded construction.

Their innovative design integrates a Variable Speed Drive (VSD) which eliminates the need for a high maintenance belt and pulley system. They are driven by a direct drive motor and are available hot dip galvanised or a durable blue powder coated finish. The range is available in 15 impeller sizes, extending from 12 inch (305mm) to 44 inch (1120mm) diameter. Smaller sizes come in a box type design and larger sizes with a pedestal mounted motor.

Typical Applications

Designed for a wide range of supply or exhaust air applications such as shopping centres, food halls and car parks.

Features

- Casings and impellers are made of high strength fully welded mild steel
- Controlled with VSD which eliminates the need for high maintenance belt and pulley system
- VSD can be factory pre-configured to suit application, creating a time saving plug and play system
- Fitted with inlet spigot and discharge flange
- Comes standard with inspection hatches and drain plugs
- Clockwise impeller rotation is standard, anti-clockwise rotation is available upon request
- Driven by a reliable direct drive motor design
- Comes standard hot dip galvanised or with a durable blue powder coated finish

Box design models

- Available in impeller diameter sizes from 12 to 30 inch
- Efficient and compact design
- Can be rotated onsite to 0, 90 or 180° position to suit installation requirements

Pedestal design models

- Available in impeller diameter sizes from 27 to 44 inch
- Available in 0, 90 or 180° discharge angles

Construction

Fully welded mild steel casings.

Hot dip galvanised or blue powder coated finish.

Impellers are fully welded.

Backward-curved laminar impeller.

Motors

Type - standard TEFC squirrel cage induction motors

Electricity supply - three-phase to suit a wide range of voltages and frequencies.

Internal Thermal Protection

Thermistors can be provided.

Testing

Air flow tests based on ISO5801: 2007

Noise tests based on ISO13347: Part 3, 2004

Wiring Diagram

See page N-6, diagrams DD 1, 2, 3.

SUGGESTED SPECIFICATION

The single width, single inlet (SWSI) centrifugal fans shall be of the Blue Rhino series as designed and manufactured by Fantech Pty. Ltd. and be of the model numbers shown on the schedule/drawing.

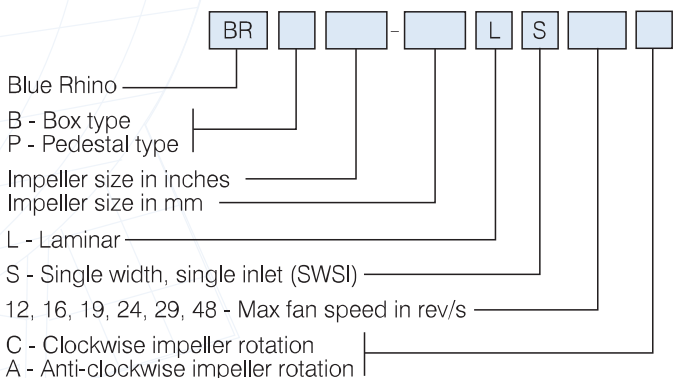
The housings and impellers shall be made from fully welded mild steel with hot dip galvanised or blue powder coated finish. Impellers shall be backward-curved laminar design, rotating clockwise unless specified otherwise.

They shall be driven by a direct drive motor and designed to operate with a Variable Speed Drive.

They shall be fitted with inlet spigot and discharge flange, and come standard with inspection hatches and drain plugs.

Air flow test data shall be based on ISO5801:2007. Noise test data shall be based on ISO13347: Part 3, 2004.

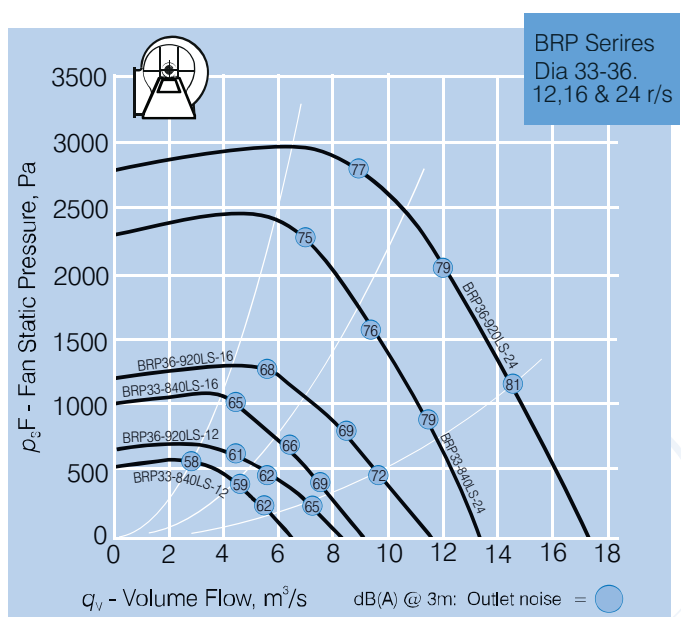
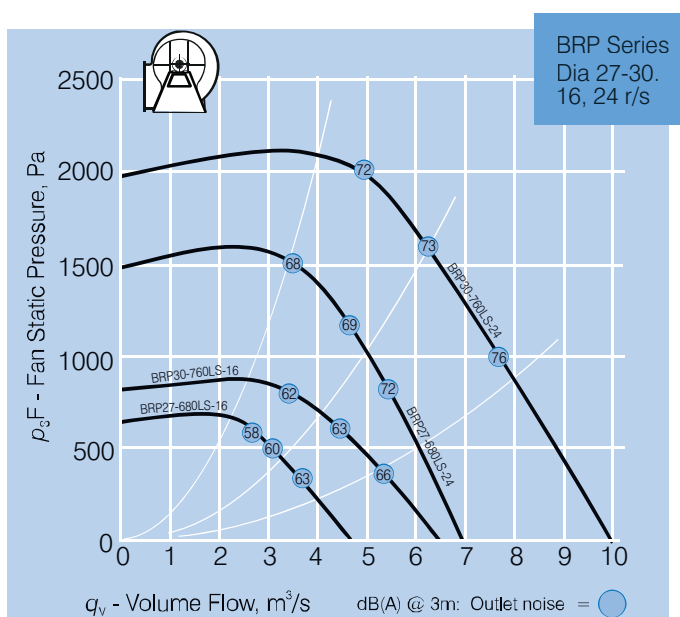
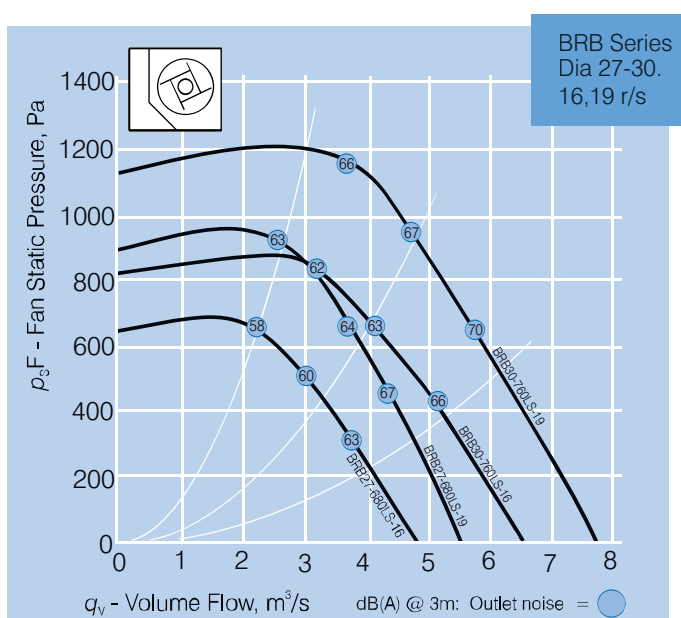
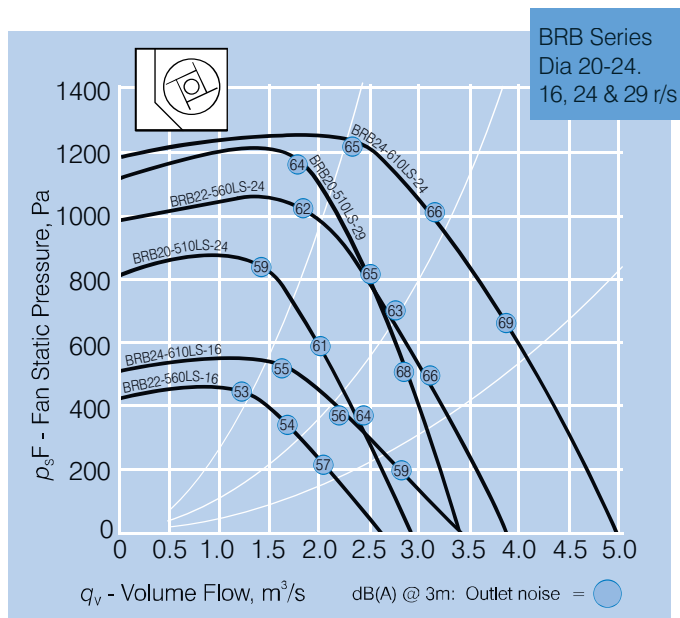
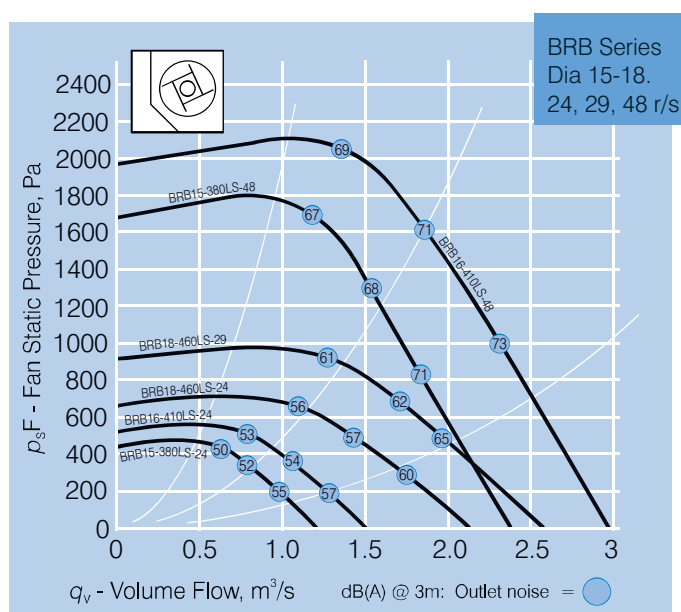
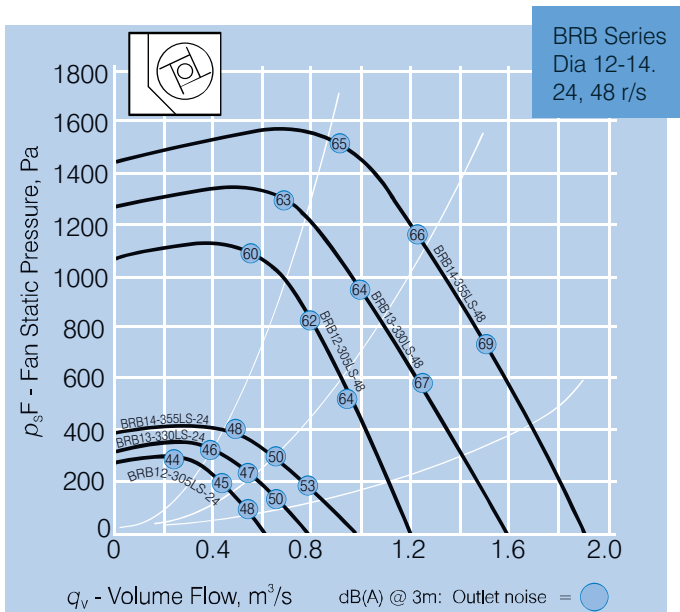
HOW TO ORDER



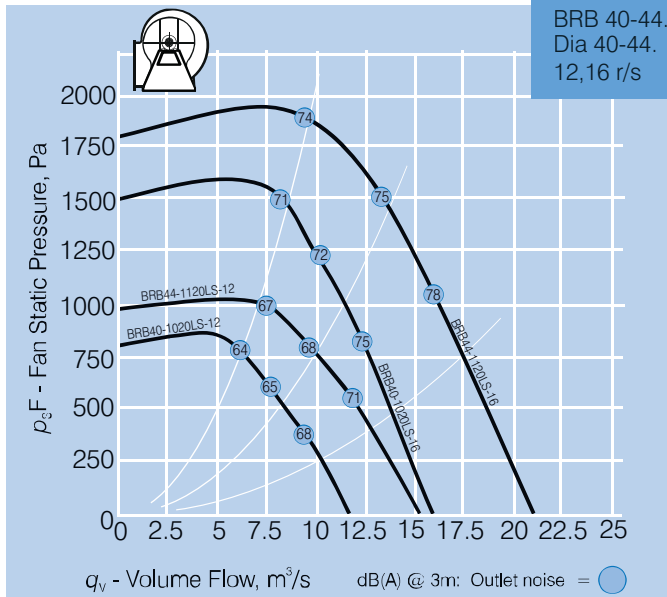
Please provide the following additional information so your order can be processed promptly:

- Direction of rotation: clockwise or anti-clockwise
- Finish required: hot dip galvanised or powder coated
- Discharge angle (Pedestal range only): 0 degree, 90 degree or 180 degree

BLUE RHINO CENTRIFUGAL FANS: SWSI



BLUE RHINO CENTRIFUGAL FANS: SWSI

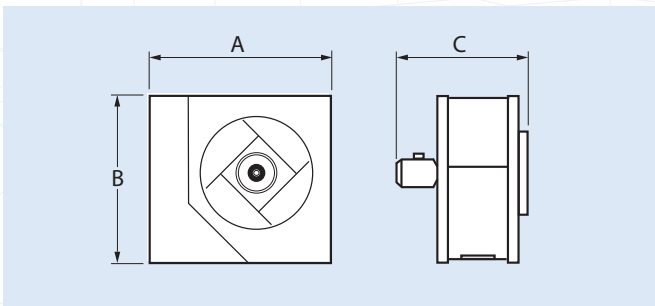


TECHNICAL DATA

Model Number	Max. Speed rev/sec	Max Amps	Motor kW
BRB12-305LS-24	24	1.4	0.55
BRB12-305LS-48	48	2.9	1.5
BRB13-330LS-24	24	1.4	0.55
BRB13-330LS-48	48	4.3	2.2
BRB14-355LS-24	24	1.4	0.55
BRB14-355LS-48	48	5.7	3.0
BRB15-380LS-24	24	1.4	0.55
BRB15-380LS-48	48	7.1	4.0
BRB16-410LS-24	24	2.1	0.75
BRB16-410LS-48	48	9.9	5.5
BRB18-460LS-24	24	3.3	1.5
BRB18-460LS-29	29	4.3	2.2*
BRB20-510LS-24	24	4.3	2.2
BRB20-510LS-29	29	8.2	4.0*
BRB22-560LS-16	16	3.0	1.1
BRB22-560LS-24	24	8.2	4.0
BRB24-610LS-16	16	3.7	1.5
BRB24-610LS-24	24	10.6	5.5
BRB27-680LS-16	16	7.1	3.0
BRB27-680LS-19	19	11.8	5.5*
BRB30-760LS-16	16	11.8	5.5
BRB30-760LS-19	19	15.4	7.5*
BRP27-680LS-16	16	7.1	3.0
BRP27-680LS-24	24	20.7	11.0
BRP30-760LS-16	16	11.8	5.5
BRP30-760LS-24	24	32.8	18.5
BRP33-840LS-12	12	6.7	3.0
BRP33-840LS-16	16	22.7	11.0
BRP33-840LS-24	24	53.0	30.0
BRP36-920LS-12	12	11.6	5.5
BRP36-920LS-16	16	29.8	15.0
BRP36-920LS-24	24	79.0	45.0
BRP40-1020LS-12	12	24.5	11.0
BRP40-1020LS-16	16	42.5	22.0
BRP44-1120LS-12	12	32.8	15.0
BRP44-1120LS-16	16	65.0	37.0

* Motor speed increased to 60Hz using VSD

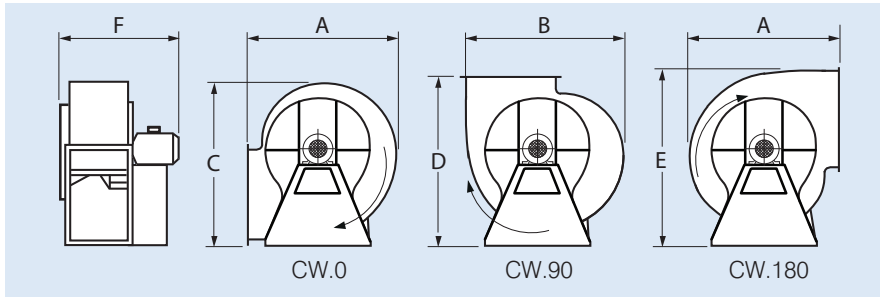
DIMENSIONS



Model Number	A	B	C	App. Weight kg
BRB12-305LS-24	682	603	564	82
BRB12-305LS-48	682	603	579	87
BRB13-330LS-24	733	651	582	101
BRB13-330LS-48	733	651	622	102
BRB14-355LS-24	784	699	600	111
BRB14-355LS-48	784	699	675	122
BRB15-380LS-24	835	747	640	138
BRB15-380LS-48	835	747	748	146
BRB16-410LS-24	900	809	681	146
BRB16-410LS-48	900	809	836	200
BRB18-460LS-24	1020	908	744	209
BRB18-460LS-29	1020	908	779	210
BRB20-510LS-24	1122	1004	835	242
BRB20-510LS-29	1122	1004	855	262
BRB22-560LS-16	1224	1100	838	267
BRB22-560LS-24	1224	1100	893	296
BRB24-610LS-16	1335	1196	909	321
BRB24-610LS-24	1335	1196	1025	362
BRB27-680LS-16	1473	1330	1069	418
BRB27-680LS-19	1473	1330	1109	440
BRB30-760LS-16	1640	1483	1167	546
BRB30-760LS-19	1640	1483	1224	564

BLUE RHINO CENTRIFUGAL FANS: SWSI

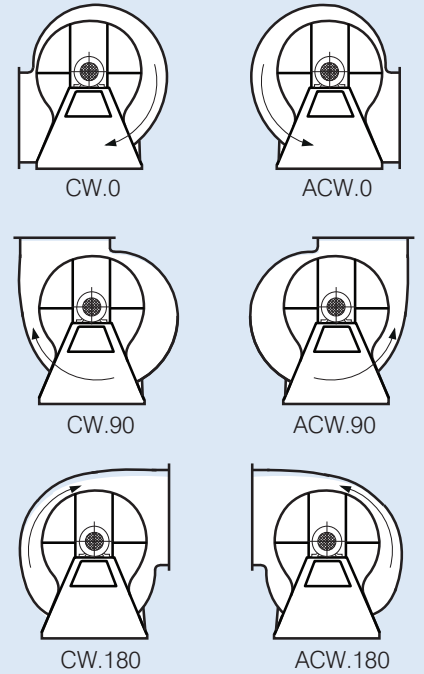
DIMENSIONS



Model Number	Dimensions, mm						App. Weight kg
	A	B	C	D	E	F	
BRP27-680LS-16	1314	1435	1436	1467	1699	1096	415
BRP27-680LS-24	1314	1435	1436	1467	1699	1175	484
BRP30-760LS-16	1467	1598	1605	1639	1893	1165	531
BRP30-760LS-24	1467	1598	1605	1639	1893	1310	644
BRP33-840LS-12	1621	1776	1774	1811	2102	1215	626
BRP33-840LS-16	1621	1776	1774	1811	2102	1338	716
BRP33-840LS-24	1621	1776	1774	1811	2102	1462	857
BRP36-920LS-12	1773	1938	1943	1983	2295	1353	783
BRP36-920LS-16	1773	1938	1943	1983	2295	1457	871
BRP36-920LS-24	1773	1938	1943	1983	2295	1574	1057
BRP40-1020-12	1965	2141	2139	2183	2522	1494	1012
BRP40-1020-16	1965	2141	2139	2183	2522	1596	1111
BRP44-1120-12	2156	2344	2345	2393	2759	1670	1261
BRP44-1120-16	2156	2344	2345	2393	2759	1722	1412

HOW TO ORDER

Direction of Rotation & Discharge Position



Scan the QR Code to view more information online.



Box Type



Pedestal type