



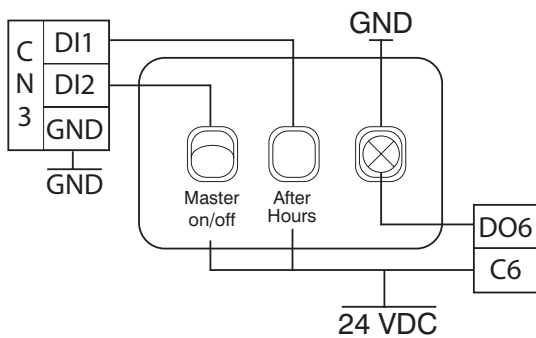
DESCRIPTION

This AirLink Wall Plate Switch is an option when the AirLink Controller is installed. It allows basic control including Master On/Off and After Hours activation mode.

Features

- Master On/Off Switch: When turned On the AirLink program schedule can operate.
- After Hours timer push button: The system will run for a period of time when After Hours is activated. The run-on-timer is configurable via the AirLink Controller
- Run Indicator lights-up when the system is in operation

Wiring Diagram



Model Number

DCV-ARLK-WPKIT

Dimensions, mm

217W X 75H X 15D

